

RICOH

RICOH PRIPORT VT2105/2005

PARTS CATALOG

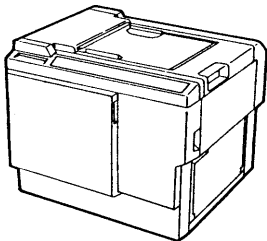


First Edition October 1992

RICOH COMPANY, LTD.

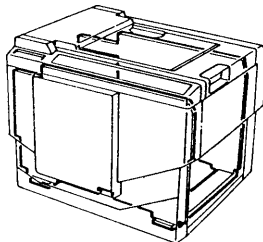
LOCATION OF UNIT

1. EXTERIOR (C216)



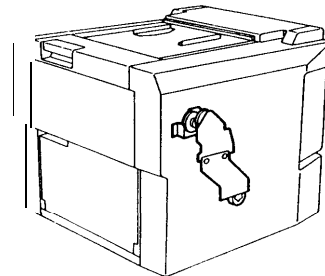
See Page 8

2. FRAME (C216)



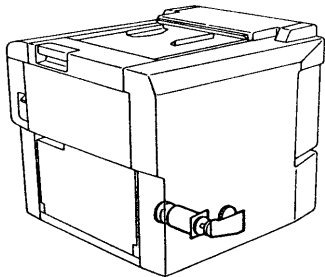
See Page 10

3. DRIVE SECTION 1 (C216)



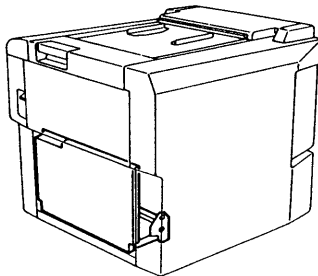
See Page 12

4. DRIVE SECTION 2 (C216)



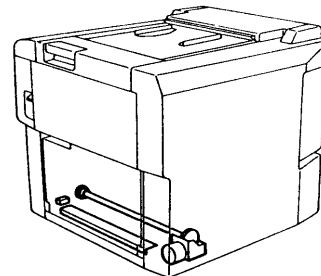
See Page 14

5. PAPER TABLE (C216)



See Page 16

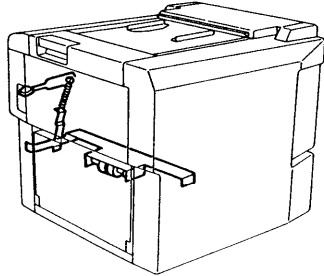
6. PAPER TABLE DRIVE (C216)



See Page 18

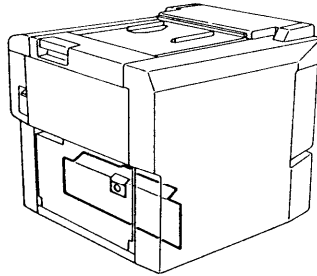
LOCATION OF UNIT

7. PAPER FEED AND SEPARATION ROLLER (C216)



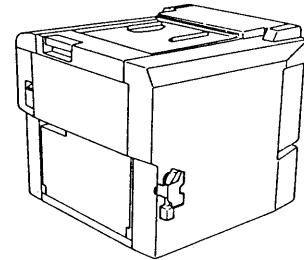
See Page 20

8. PAPER SEPARATION ROLLER (C216)



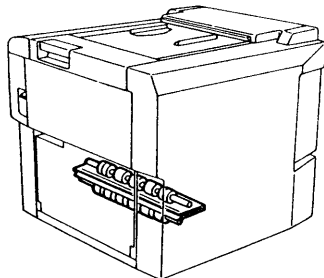
See Page 22

9. PAPER FEED DRIVE (C216)



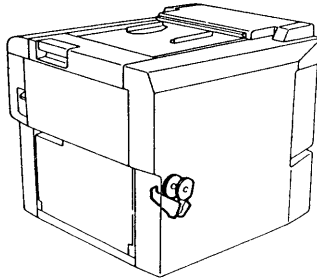
See Page 24

10. 2ND FEED ROLLER (C216)



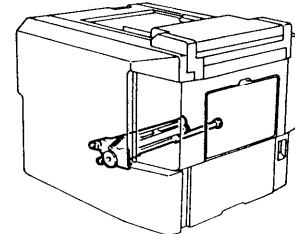
See Page 26

11. 2ND FEED DRIVE (C216)



See Page 28

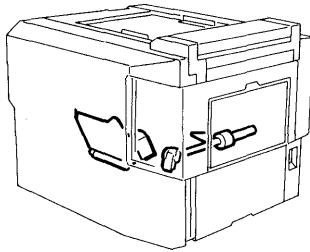
12. PRESS ROLLER (C216)



See Page 30

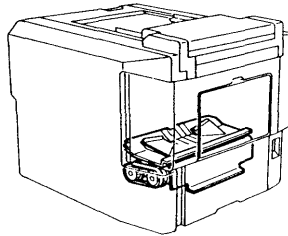
LOCATION OF UNIT

13. AIR KNIFE SECTION (C216)



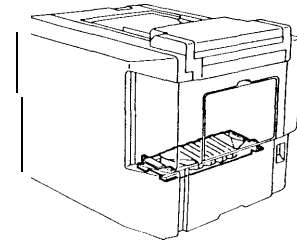
See Page 32

4. PAPER DELIVERY 1 (C216)



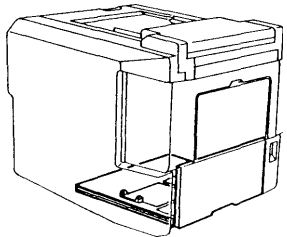
See Page 34

15. PAPER DELIVERY 2 (C216)



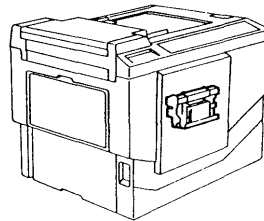
See Page 36

16. DELIVERY TABLE (C216)



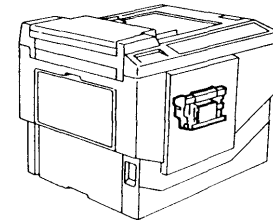
See Page 38

17. DRUM SECTION 1 (C216)



See Page 40

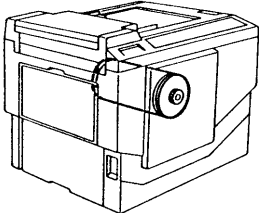
18. DRUM SECTION 2 (C216)



See Page 42

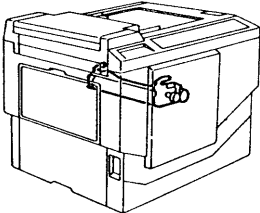
LOCATION OF UNIT

19. DRUM SECTION 3 (C216)



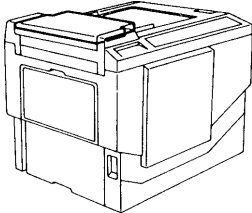
See Page 44

20. DRUM SECTION 4 (C216)



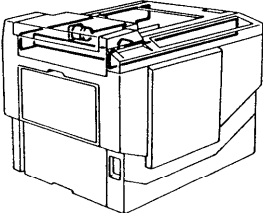
See Page 46

21. SCANNER SECTION 1 (C216)



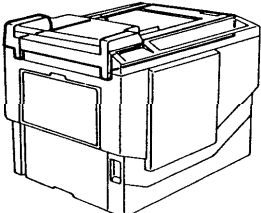
See Page 48

22. SCANNER SECTION 2 (C216)



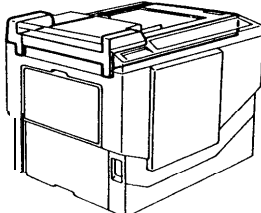
See Page 50

23. SCANNER SECTION 3 (C216)



See Page 52

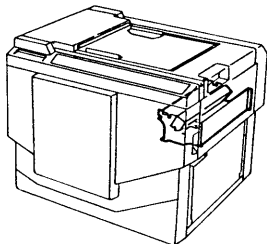
24. SCANNER SECTION 4 (C216)



See Page 54

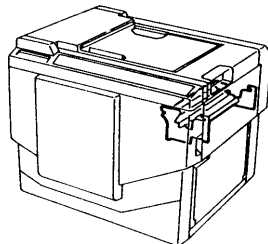
LOCATION OF UNIT

25. PLOTTER/MASTER FEED SECTION 1 (C216)



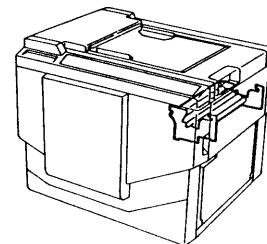
See Page 56

26. PLOTTER/MASTER FEED SECTION 2 (C216)



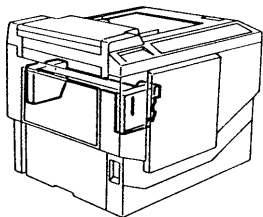
See Page 58

27. PLOTTER/MASTER FEED SECTION 3 (C216)



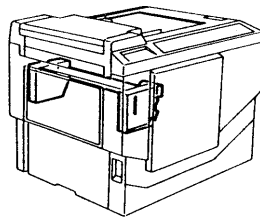
See Page 60

28. MASTER EJECT SECTION 1(C216)



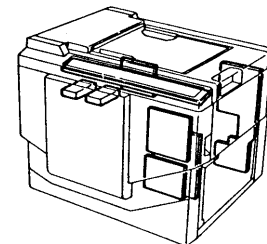
See Page 62

29. MASTER EJECT SECTION 2 (C216)



See Page 64

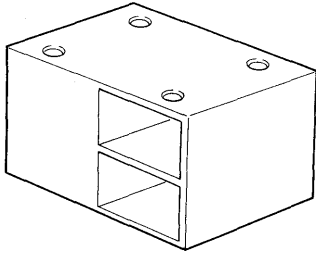
30. ELECTRICAL SECTION (C216)



See Page 66

LOCATION OF UNIT

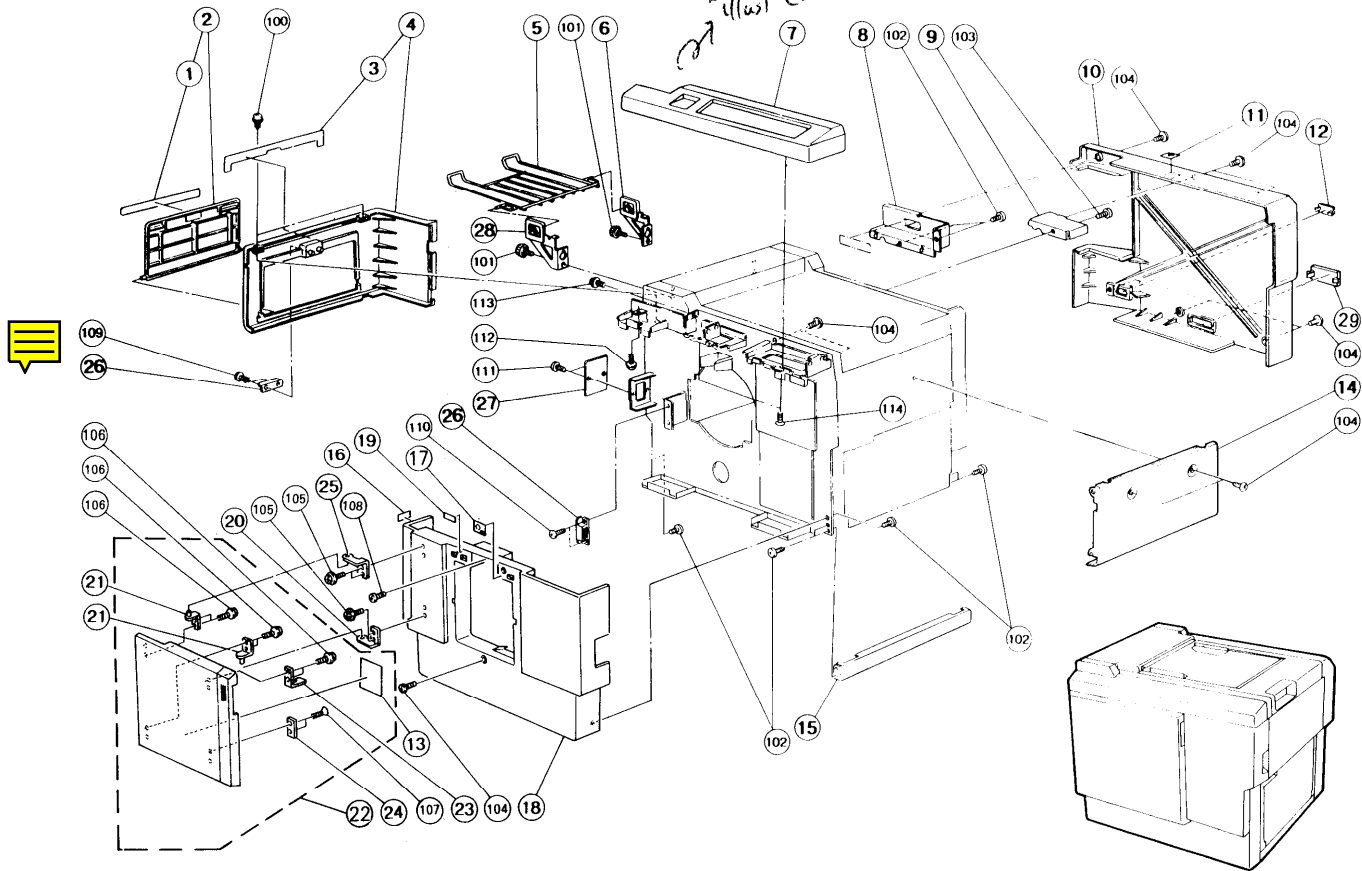
31. TABLE/DRUM BOX (C216)



See Page 68

1. EXTERIOR (C216)

Illustr correction



1. EXTERIOR (C216)

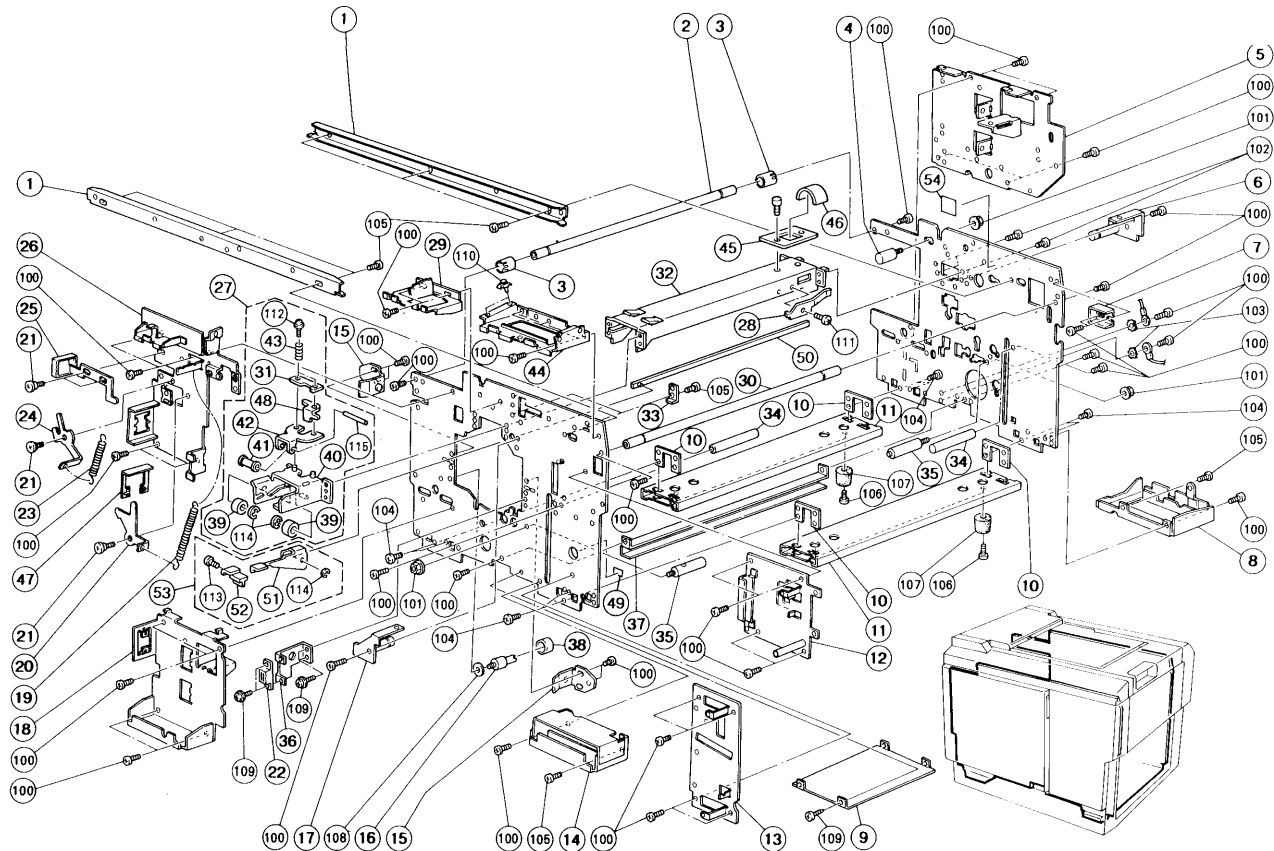
Index No.	Part No.	Description	Q'ty Per Assembly
1	C201 2417	Box Door Sheet	1
2	C203 2761	Master Eject Box Door	1
3	C201 2437	Master Eject Sheet	1
4	C203 2765	Master Eject Cover	1
5	C203 3075	Original Exit Tray	1
6	C201 3023	Right Bracket - Original Tray	1
7	C215 2430	Operation Panel Cover	1
8	C203 2431	Rear Bracket	1
9	C203 2430	Rear Cover Bracket	1
10	C203 2756	Rear Cover	1
11	C201 2462	Decal - Original Table	1
12	C210 2801	Rear Cap - Small	1
13	C216 2761	Decal - Drum Replacement - LT	1
13	C216 2771	Decal - Drum Replacement - A4	1
14	C203 2744	Plotter Unit Cover	1
15	C201 2431	Support Cover	1
16	C203 2731	Decal - Master Eject Open	1
17	C203 2742	Decal - Drum Operation	1
18	C216 2702	Front Cover	1
18	C216 2712	Front Cover - A4	1
19	C201 2466	Decal - Counter <i>→ Front Door Ass'y - A4</i>	1
20	C213 2406	Lower Hinge - Front Door	1
21	C213 2407	Hinge Bracket	2
22	C216 2705	Front Door Ass'y -LT	1
23	C200 2434	Micro Switch Actuator	1
24	C213 2435	Magnet Plate	1
25	C213 2405	Upper Hinge - Front Door	1
26	50540536	Magnet Catch Ass'y	2
27	C201 2427	Key Counter Cover	1
28	C201 3020	Left Bracket - Original Tray	1
29	C203 2758	Rear Cover Cap	1

2.2



Index No.	Part No.	Description	Q'ty Per Assembly
100	0964 4008Z	Tapping Screw W/Washer - M4x8	
101	08030017	Knob Screw - M4x6.5	
102	0314 0080Z	Philips Screw - 4x8	
103	0801 1004	Screw - M4x4	
104	0344 0080D	Philips Truss Head Screw - M4x8	
105	0434 0082Z	Tapping Screw - M4x8	
106	09654010Z	Tapping Screw W/T Flat Washer - M4x10	
107	08025149	Tapping Screw - M4x9	
108	0354 0050D	Screw - M4x5	
109	0434 0082W	Tapping Screw - M4x8	
110	0314 0060Z	Philips Pan Head Screw - M4x6	
111	0343 0060D	Philips Truss Head Screw - M3x6	
112	09653010Z	Tapping Screw W/T Flat Washer - M3x10	
113	0951 3006Z	Philips Screw With Flat Washer - M3	
114	0323 0100Z	Philips Sunken Head Screw - M3x10	

2. FRAME (C216)



2. FRAME (C216)

Index No.	Part No.	Description	Q'ty Per Assembly
1	C203 3037	Slide Rail	2
2	C203 2091	Front Shaft	1
3	C203 2092	Roller - Front Shaft	2
4	C201 3004	Stopper Stud	1
5	C213 2117	Right Grip - Paper Delivery	1
6	C203 2085	Right Fixing Plate	1
7	C200 3006	Stopper	1
8	C2032120	Right Grip - Paper Feed	1
9	C203 2094	Harness Cover	1
10	C203 2096	Bottom Stay Nut	4
11	C222 2072	Bottom Stay	2
12	C203 2026	Lever Bracket - Paper Feed	1
13	C224 2015	Bracket	1
14	C203 2055	Left Grip - Paper Feed	1
15	C200 4520	Lock Pin - Drum	2
16	C200 3716	Cushion Shaft	1
17	C203 2041	Left Fixing Plate	1
18	C203 2052	Left Grip - Paper Delivery	1
19	C2003956	Middle Lever Spring	1
20	C200 3953	Middle Lever	1
21	54032075	Stepped Screw	4
22	50540536	Magnet Catch Ass'y	1
23	C200 3957	Lower Lever Spring	1
24	C200 3954	Lower Lever	1
25	C203 3509	Upper Lever	1
26	C213 2048	Left Side Plate	1
27	C219 4505	Drum Stopper Ass'y	1
28	C215 4528	Plate Spring - Drum Rail	1
29	C211 2023	Left Bracket - Operation Panel	1
30	C203 2093	Shaft	1
31	C215 4533	Spring Plate	1
32	C215 4502	Drum Rail Stay	1
33	C201 2404	Operation Panel Bracket	1
34	C209 4190	Stud	2
35	C200 2232	Drive Shaft	2

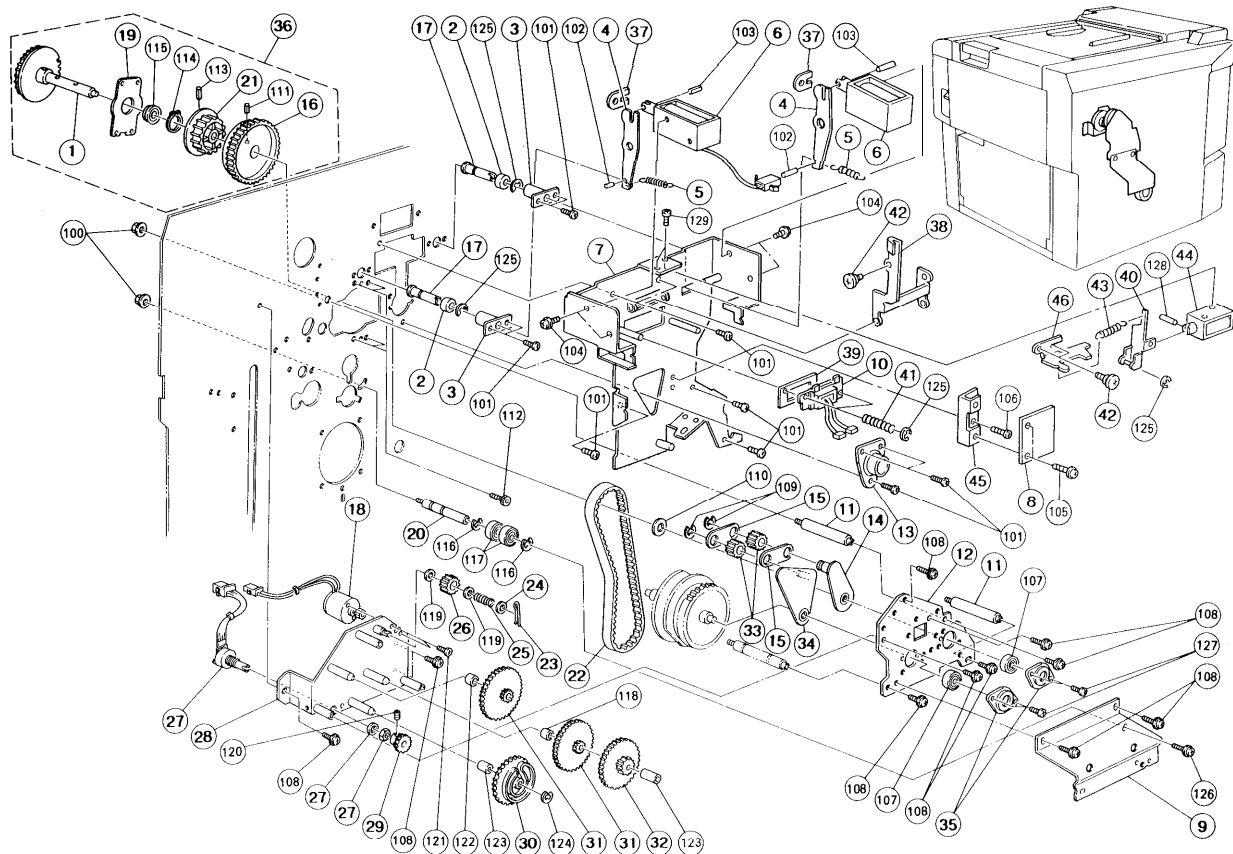
Index No.	Part No.	Description	Q'ty Per Assembly
36	C213 2030	Magnet Catch Bracket	1
37	C203 8074	Harness Stay	1
38	55014719	Rubber Ring - Stopper	1
39	C2014604	Drum Rail Roller	2
40	C215 4506	Stopper Base	1
41	C2014532	Drum Stopper Roller	1
42	C2014531	Drum Stopper Pawl	1
43	C201 4533	Drum Stopper Spring	1
44	C203 2020	Right Bracket - Operation Panel	1
45	C203 4511	Spring Plate Supporter	1
46	C224 4512	Grounding Spring Plate	1
47	A030 1339	Plate Nut-key Counter	1
48	C215 4532	Locking Arm	1
49	C207 2005	Seal -30	1
50	C215 4515	Drum Lock Link	1
51	C215 4511	Drum Lock Lever	1
52	C215 4514	Drum Lock Knob	1
53	C215 4510	Drum Release Knob Ass'y	1
54	C203 2759	Master Cutter Decal	1



Index No.	Part No.	Description	Q'ty Per Assembly
100	0314 0080Z	Philips Screw - 4x8	
101	0713 0050B	Hexagon Nut - M5	
102	04340100Z	Pan Head Self-tapping Screw - M4x10	
103	0705 0040B	Toothed Washer	
104	03150120Z	Philips Screw - 5x12	
105	08011004	Screw - M4x4	
106	0951 5030Z	Philips Screw With Flat Washer - M5	
107	08056009	Rubber Foot	
108	08073083	Washer	
109	0314 0060Z	Philips Pan Head Screw - M4x6	
110	11060554	Locking Support	
111	0434 0080Z	Tapping Screw - M4x8	
112	0951 3006Z	Philips Screw With Flat Washer - M3	
113	08011135	Philips Pan Head Screw - M3x3	
114	0720 0050Z	Retaining Ring - M5	
115	0622 0250E	Spring Pin M2x250	

Index No.	Part No.	Description	Q'ty Per Assembly

3. DRIVE SECTION 1 (C216)



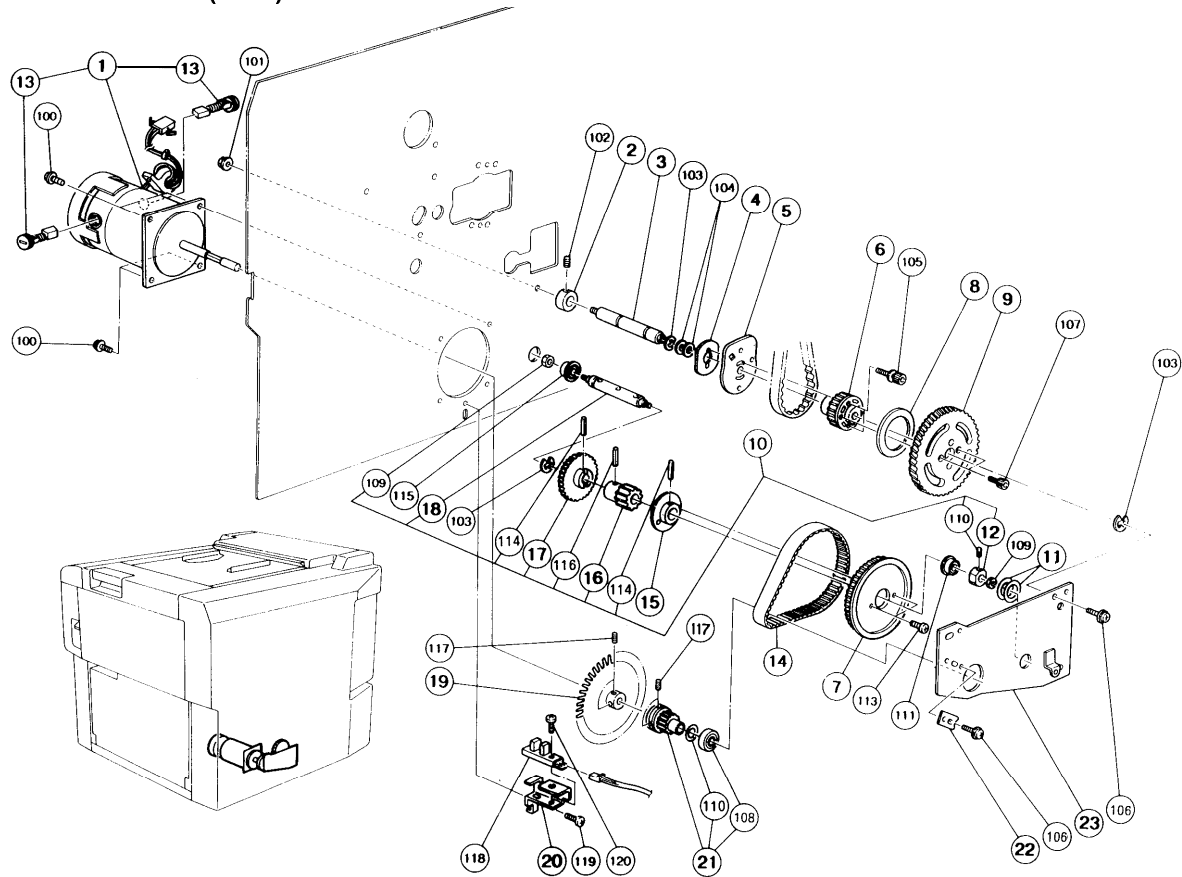
3. DRIVE SECTION 1 (C216)

Index No.	Part No.	Description	Q'ty Per Assembly
1	C213 2218	Stud & Gear - 30T	1
2	C2014561	Drum Clamper Roller	2
3	C2004551	Slide Guide	2
4	C207 4554	Solenoid Lever	2
5	C200 4561	Clamper Spring	2
6	C207 8212	Master Eject Solenoid	2
7	C215 2080	Solenoid Bracket	1
8	C215 8116	Ink Detecting Board	1
9	C213 6030	Reinforcement Plate	1
10	C203 8091	Drum Harness	1
11	C2012211	Stud	2
12	C203 2304	Support Side Plate	1
13	C209 4516	Slide Guide - Drive Shaft	1
14	C200 2308	Image Shifting Arm - Small	1
15	C200 2311	Image Shifting Link	2
16	C2012217	Gear - 50T	1
17	C200 4553	Slide Shaft	2
18	C201 8061	Motor - DC25.8W	1
19	C200 2248	Fixing Plate	1
20	C203 2315	Tension Shaft	1
21	C203 2317	Pulley - 26Z	1
22	C203 2316	Timing Belt	1
23	C203 2303	Snap Bushing	1
24	0701 0030Z	Washer	1
25	C200 2339	Blake Spring	1
26	C200 2338	Gear - 20T	1
27	C200 8450	Encoder	3
28	C200 2321	Bracket - Image Shifting Unit	1
29	C201 2221	Gear - 40T	1
30	C201 2222	Coupled Gear - 20T& 60T	1
31	C200 2331	Gear - 20T	2
32	C200 2332	Gear - 16T	1
33	C219 2226	Gear - 22T	2
34	C200 2302	Image Shifting Arm - Large	1
35	C200 2266	Bearing Holder	2

Index No.	Part No.	Description	Per Assembly
36	C213 2330	Drum Drive Gear Pulley -Ass'y	1
37	C207 4555	Rubber Seal - 8x14x2	2
38	C215 4517	Connector Lock Arm	1
39	C215 4535	Connector Bracket	1
40	C215 4537	Connector Lock Lever	1
41	C215 4539	Connector Spring	2
42	54032075	Stepped Screw	2
43	C201 5080	Separation Roller Pressure Spring	1
44	C209 8234	Drum Lock Solenoid	1
45	C215 4536	Ink Detecting Board Bracket	1



4. DRIVE SECTION 2 (C216)



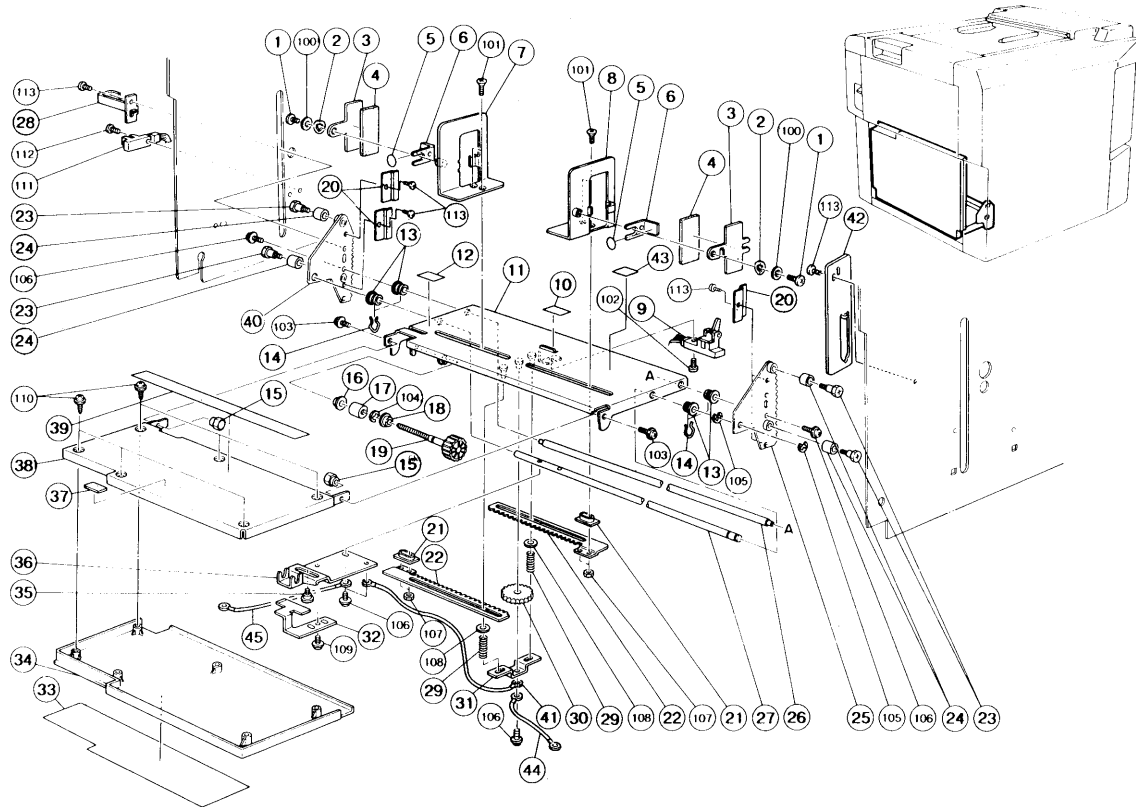
4. DRIVE SECTION 2 (C216)

Index No.	Part No.	Description	Qty Per Assembly
1	C207 8451	Main Motor - DC80W	1
2	C200 2221	Collar - Pressure Cam Shaft	1
3	C200 2225	Pressure Cam Shaft	1
4	C200 2224	Plate Nut - Print Pressure Cam	1
5	C213 5560	Print Pressure Cam	1
6	C203 2312	Pulley	1
7	C207 2209	Pulley - 60Z	1
8	C203 2327	Pulley Flange	1
9	C203 2326	Gear - 90Z	1
10	C200 2210	Driven Shaft Ass'y	1
11	C200 2267	Spacer	2
12	C200 2217	Collar	1
13	C203 8453	Rectification	2
14	C207 2210	Timing Belt - 100S 4.5M 297	1
15	C203 2311	Gear Flange	1
16	C203 2215	Gear - 18T	1
17	C200 6053	Gear - 40T	1
18	C203 2216	Driven Shaft	1
19	C203 2309	Pulse Disk	1
20	C200 2205	Bracket - Drum Rotation Sensor	1
21	C207 2207	Pulley - 12Z	1
22	C207 2211	Bearing Stopper	1
23	C203 2306	Support Side Plate - Aid	1



Index No.	Part No.	Description	Qty Per Assembly
100	0960 4008Z	Flange Head Screw -4 x 8	
101	0713 0050B	Hexagon Nut - M5	
102	0574 0040E	Hexagon Headless Set Screw - M4x4	
103	0720 0080Z	Retaining Ring - M8	
104	08077013	Spacer -10.2 x 14x 0.2 mm	
105	08046092	Hexagonal Set Screw	
106	0960 4008Z	Flange Head Screw -4 x 8	
107	0595 0120E	Socket Screw - M5x12	
108	07403012	Ball Bearing - 12x28x8	
109	07120060Z	Hexagon Nut - M6	
110	08077040	Spacer 12.5mm x 22mm x 0.5	
111	0741 3908S	Bearing	
112	03140060Z	Philips Pan Head Screw - M4x6	
113	0315 0060Z	Philips Screw - 5x6	
114	0623 0200E	Spring Pin - 3x20mm	
115	0741 3807S	Bearing	
116	08044046	Spring Pin - 4x16	
117	0574 0050E	Hexagon Headless Set Screw - M4x5	
118	AW02 0041	Photointerruptor - EE-SX450-P1	
119	03140080Z	Philips Screw - 4 x 8	
120	0314 0120Z	Philips Screw - 4x12	

5. PAPER TABLE (C216)

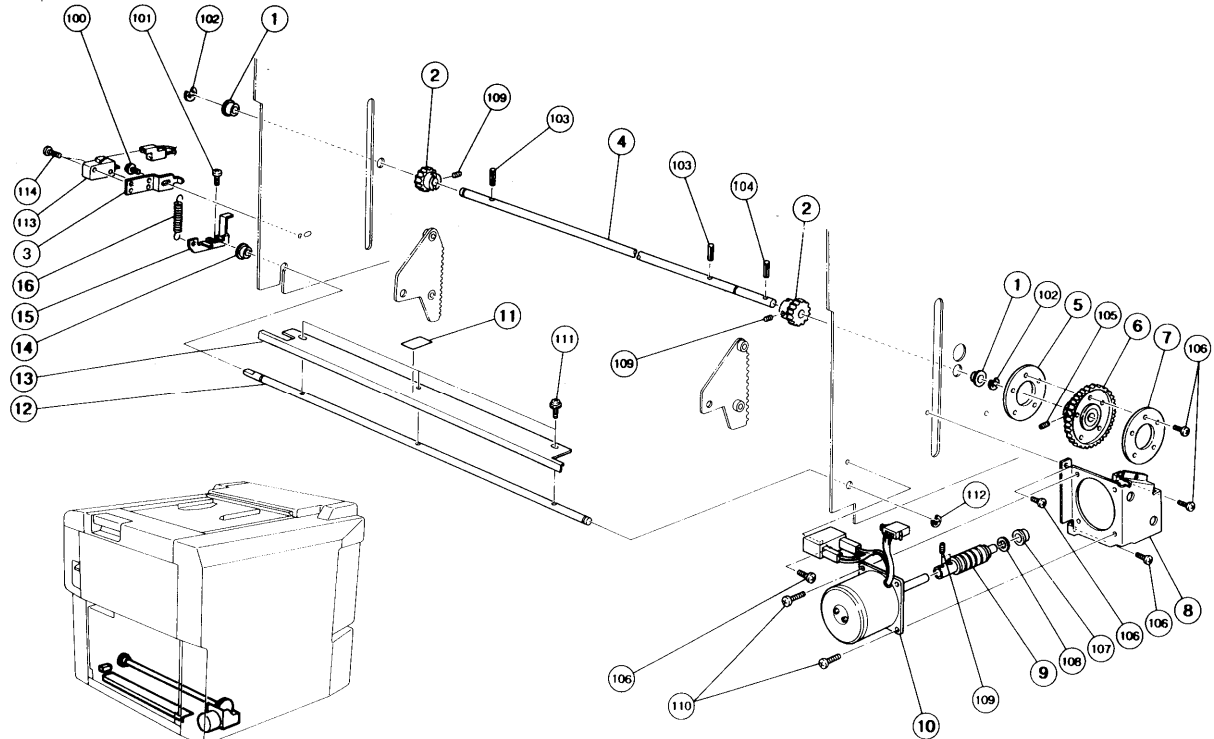


5. PAPER TABLE (C216)

Index No.	Part No.	Description	Qty Per Assembly
1	55061536	Screw - M4x6	2
2	50700923	Spring Washer - Rotating Table	2
3	C200 5285	Side Pad	2
4	C200 5287	Rubber Plate - Paper Feed	2
5	C201 5015	Seal - M10	2
6	C207 5092	Right Side Pad	2
7	C207 5279	Left Side Plate - Paper Feed	1
8	C200 5274	Right Side Plate - Paper Feed	1
9	52145235	Paper Feed Sensor	1
10	C203 5087	Rubber Plate - Feed Table	1
11	C215 5089	Paper Feed Table	1
12	C213 2453	Decal - Paper Feed Table	1
13	C203 5121	Bushing - 8x12x9mm	4
14	56001107	Snap Retainer -12	4
15	C200 5038	Screw Collar	2
16	C2035114	Bushing - 3x6x3mm	1
17	C2035116	Washer - 6x13x12mm	1
18	C203 5113	Bushing - 6x9x3mm	1
19	C203 5109	Knob Screw	1
20	C203 5131	Gear Cover	4
21	C200 5335	Side Plate Slider	2
22	C207 5028	Paper Feed Rack	2
23	C203 5142	Rack Shaft	4
24	56062310	Roller	4
25	C2245126	Right Rack - Paper Feed	1
26	C200 5042	Rear Shaft - Paper Feed	1
27	C2035122	Front Shaft - Paper Feed	1
28	C215 5040	Actuator - Table Lower Limit Switch	1
29	55057197	Spring - Hinge - Inking	2
30	53091023	Pinion Paper Feed Table	1
31	C203 5105	Supporter	1
32	C2075120	Position Indicator	1
33	C201 2443	Feed Stand Cover Sheet	1
34	C203 2422	Feed Stand Cover	1
35	C201 5125	Shoulder Screw - M4	1

Index No.	Part No.	Description	Qty Per Assembly
36	C203 5119	Arm - Paper Feed Table	1
37	C200 5025	Paper Feed Plate Shield	1
38	C211 5103	Paper Feed Bottom Plate - LT	1
38	C211 5104	Paper Feed Bottom Plate - A4	1
39	C203 2716	Decal - Paper Size - LT	1
39	C204 2718	Decal - Paper Size - A4	1
40	C224 5128	Left Rack - Paper Feed	1
41	C203 8365	Grounding Wire	1
42	C2035148	Fixing Plate	1
43	C215 5095	Seal	1
44	C203 8098	Grounding Wire	1
45	C203 8204	Grounding Wire	1
00	0701 0080Z	Flat Washer - M8	1
101	0323 0100Z	Philips Sunken Head Screw - M3x10	1
102	0313 0100Z	Philips Pan Head Screw - M3x10	1
103	0951 4010Z	Philips Screw With Flat Washer M4 x	1
104	0720 0040Z	Retaining Ring - M4	1
105	0720 0060Z	Retaining Ring - M6	1
106	0951 4008Z	Philips Screw With Flat Washer - M4x8	1
107	0710 0030Z	Hex Nut 3	1
108	0701 0040Z	Flat Washer - M4	1
109	0951 3006Z	Philips Screw With Flat Washer - M3	1
110	09653010W	Tapping Screw With Flat Washer - M3x10	1
111	AW02 0041	Photointerruptor - EE-SX450-P1	1
112	0314 0120Z	Philips Screw - 4x12	1
113	03140080Z	Philips Screw - 4x8	1

6. PAPER TABLE DRIVE (C216)

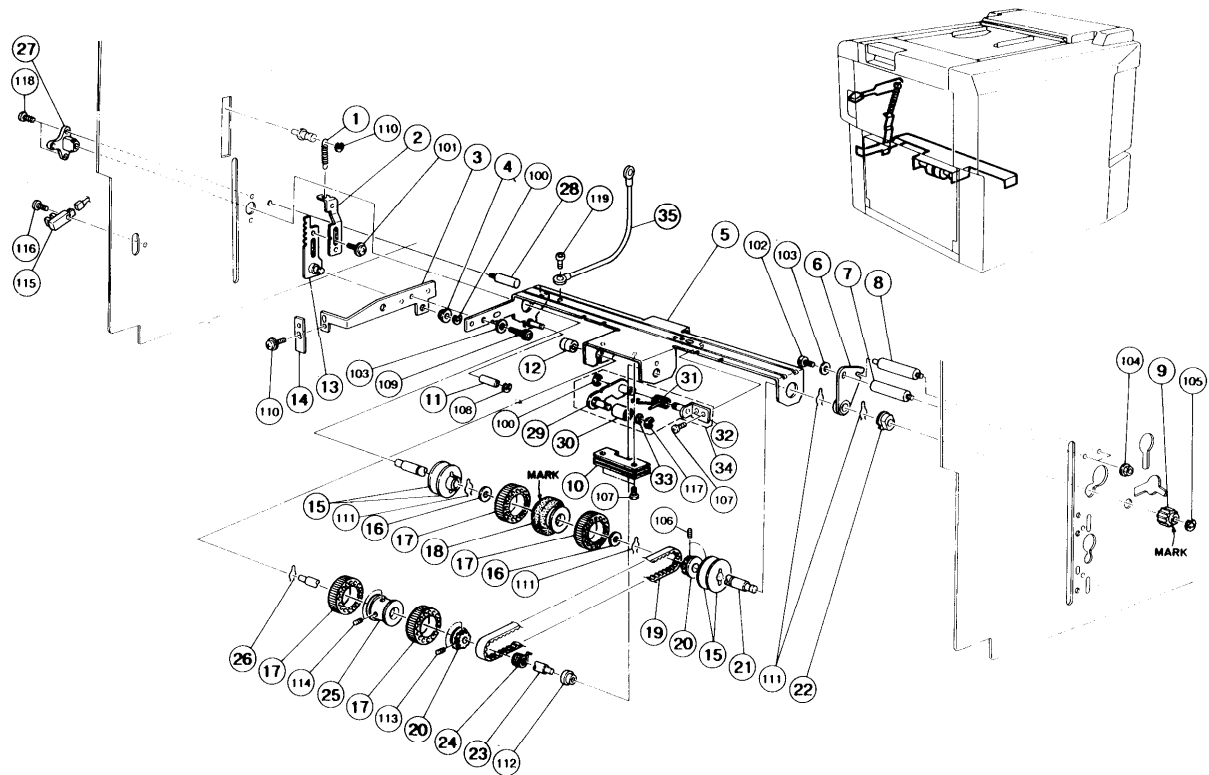


6. PAPER TABLE DRIVE (C216)

Index No.	Part No.	Description	Q'ty Per Assembly
1	C2035135	Bushing - 10x14x5.9	2
2	C201 5051	Pinion - 24T	2
3	C2015161	Bracket - Paper Table Safety Switch	1
4	C2035133	Paper Feed Table Shaft	1
5	C2015046	Front Gear Support	1
6	C200 5096	Worm Wheel Gear - 18T	1
7	C201 5045	Rear Gear Support	1
8	C203 5140	Motor Bracket	1
9	C2035138	Worm Gear	1
10	C2038130	Motor - AC22W	1
11	55066314	Mylar - Master Feed Table	1
12	C2035152	Safety Switch Shaft	1
13	C2035158	Safety Switch Plate	1
14	55064608	Bushing - Paper Hold/Down Roller -	1
15	C2035153	Safety Switch Actuator	1
16	56073906	Safety Switch Spring	1

Index No.	Part No.	Description	Q'ty Per Assembly
100	0951 4005Z	Philips Screw With Flat Washer - M4x5	
101	0313 0060Z	Philips Pan Head Screw - M3x6	
102	0720 0080Z	Retaining Ring -M8	
103	0624 0160E	Spring Pin - 4x16mm	
104	0624 0220E	Spring Pin - 4x20mm	
105	0574 0060E	Hexagon Headless Set Screw - M4x6	
106	0314 0080Z	Philips Screw - 4x8	
107	08053208	Ball Bearing - 6x10x3mm	
108	08074076	Washer - 8.2x6.1x0.3mm	
109	0574 0040E	Hexagon Headless Set Screw - M4x4	
110	03150120Z	Philips Screw - 5x12	
111	0951 3006Z	Philips Screw With Flat Washer - M3	
112	0720 0050Z	Retaining Ring - M5	
113	12041494	Micro Switch	
114	0313 0140Z	Philips Pan Head Screw - M3x14	

7. PAPER FEED AND SEPARATION ROLLER (C216)



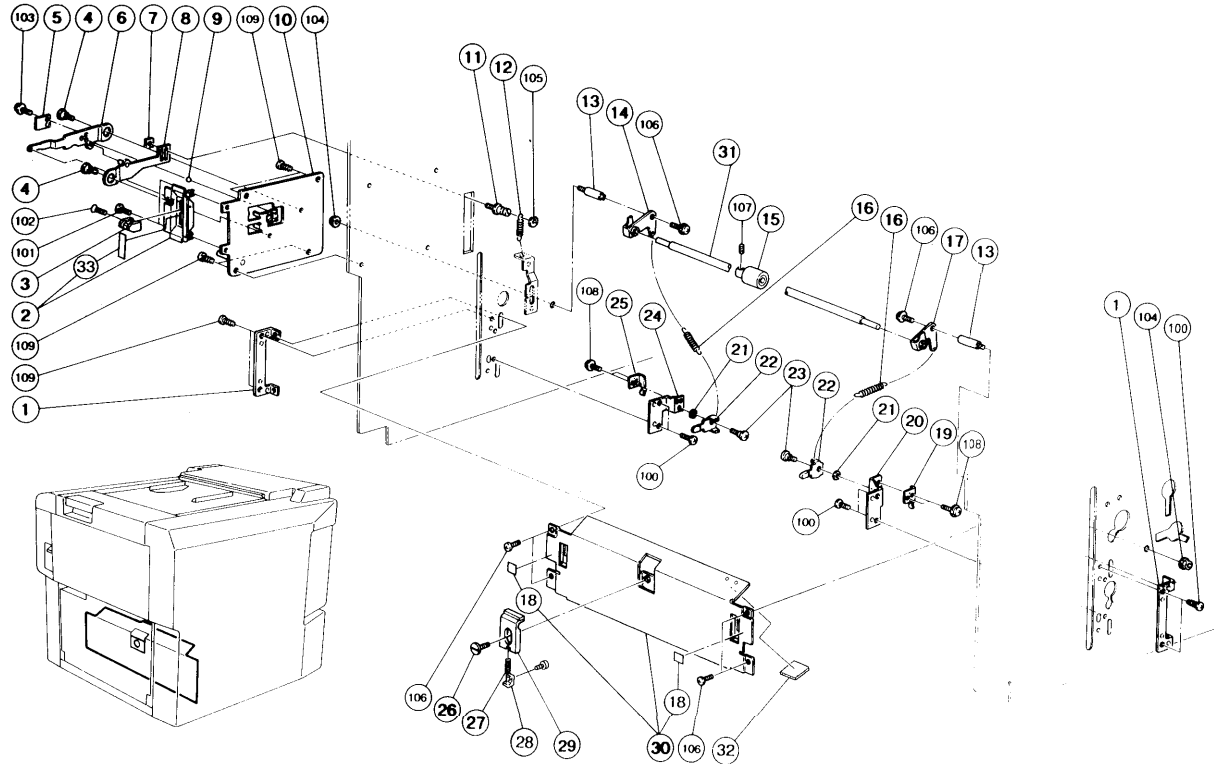
7. PAPER FEED AND SEPARATION ROLLER (C216)

ndex No.	Part No.	Description	Q'ty Per Assembly
1	C203 5020	Spring - Feed Roller Pressure	1
2	C203 5025	Spring Link	1
3	C209 5035	Arm - Feed Roller Holder	1
4	C203 5113	Bushing - 6x9x3mm	1
5	C203 5057	Feed Roller Holder	1
6	C203 5046	Bushing - 14x20x9mm	1
7	C203 5049	Front Bushing Stud	1
8	C203 5050	Rear Bushing Stud	1
9	C203 5220	Gear - 18T	1
10	C201 5073	Arm Balancer - Feed Roller	1
11	C203 5061	Collar - Reverse Roller Release	1
12	56001081	Right Bushing - Paper Feed Roller	1
13	C203 5027	Adjusting Plate	1
14	C203 5055	Actuator - Paper Feed Table	1
15	56062066	Paper Feed Guide Disc	2
16	56001086	Spacer -10.2 x 20	2
17	55064169	Rubber Roller - Paper Feed	4
18	55076010	Separator Roller Ass'y	1
19	55076035	Timing Belt - 162XL	1
20	55076032	Timing Belt Pulley - 30T	2
21	C2005130	Upper Shaft - Separation Pressure	1
22	C203 5135	Bushing - 10X14X5.9	1
23	C203 5043	Pick-up Roller Shaft	1
24	55076038	Torque Limiter - Paper Feed Roller	1
25	55076015	Paper Feed Roller	1
26	56001107	Snap Retainer -12	1
27	C203 5045	Bushing - 18x24x28mm	1
28	C203 5051	Arm Stopper	1
29	C203 5201	Tension Arm	1
30	C203 5200	Tension Roller	1
31	C203 5215	Tension Spring	1
32	C203 5208	Tension Bracket	1
33	C203 5225	Spacer - 8x11x1	1
34	C203 5205	Belt Tensioner Ass'y	1
35	C207 8316	Grounding Wire	1

ndex No.	Part No.	Description	Q'ty Per Assembly
100	0720 0040Z	Retaining Ring - M4	
101	0951 3005Z	Philips Pan Head Screw M3 x 5	
102	0594 0080E	Bolt - M4x8	
103	0701 0040Z	Flat Washer - M4	
104	07130040B	Hexagon Nut - M4	
105	0720 0050Z	Retaining Ring - M5	
106	0574 0040E	Hexagon Headless Set Screw - M4x4	
107	0314 0080Z	Philips Screw - 4x8	
108	0720 0030Z	Retaining Ring - M3	
109	0594 0080Z	Bolt - M4x8	
110	0951 3006Z	Philips Screw With Flat Washer - M3	
111	08044055	Pin	
112	08053263	Bearing -6 x 10x 6mm	
113	0554 0040E	Allen Screw - M4x4	
114	0574 0080E	Hexagon Headless Set Screw - M4x8	
115	AW02 0041	Photointerruptor - EE-SX450-P1	
116	0314 0120Z	Philips Screw - 4x12	
117	0720 0060Z	Retaining Ring - M6	
118	0314 0080Z	Philips Screw - 4x8	
119	0314 0060Z	Philips Pan Head Screw - M4x6	



8. PAPER SEPARATION ROLLER (C216)

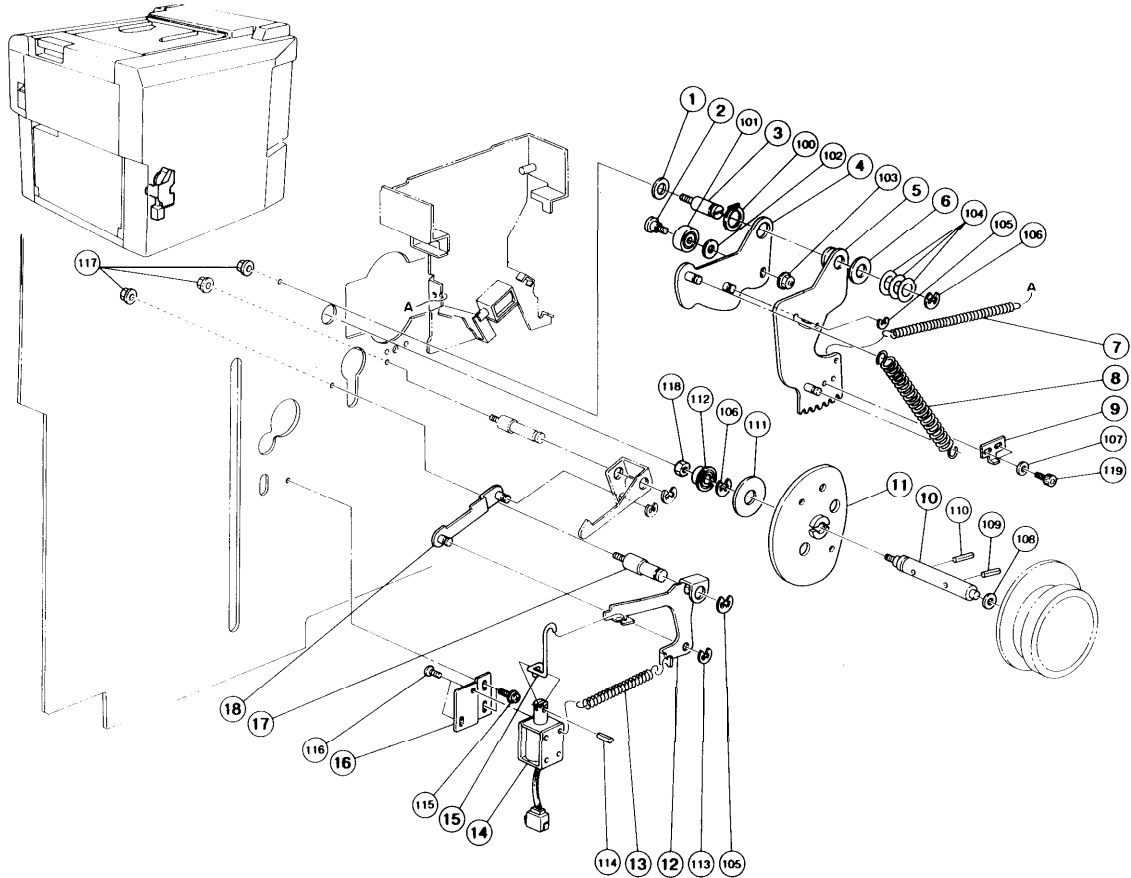


8. PAPER SEPARATION ROLLER (C216)

ndex No.	Part No.	Description	Q'ty Per Assembly
1	C201 5075	Guide Plate Bracket	2
2	C203 2708	Lever Bracket	1
3	C2012425	Adjusting Lever	1
4	C209 5220	Spacer-4x20x6	2
5	55018180	Flat Spring-Feed Roller Pressure	1
6	C2035007	Paper Feed Lever	1
7	55064235	Plate Nut-Paper Pressure	1
8	C2035013	Lever Supporter	1
9	55018195	Steel Ball 3/16	1
10	C203 2026	Lever Bracket - Paper Feed	1
11	C203 5017	Spring Stud	1
12	C203 5020	Spring - Feed Roller Pressure	1
13	C201 5090	Separation Roller Pressure Stud	2
14	C203 5062	Left Arm - Separation	1
15	55076018	Lower Separator Roller	1
16	C201 5080	Separation Roller Pressure Spring	2
17	C203 5066	Right Arm - Separation	1
18	C203 2728	Decal - Paper Separator	2
19	C201 5086	Spring Plate - Right	1
20	C201 5084	Right Bracket - Separation Pressure	1
21	C201 5089	Washer - M6	2
22	C2015088	Separation Pressure Lever	2
23	54032075	Stepped Screw	2
24	C201 5083	Left Bracket - Separation Pressure	1
25	C2015082	Spring Plate - Left	1
26	55076060	Guide Screw - Front Plate	1
27	C200 5106	Paper Feed Pressure Spring	1
28	55076058	Spring Hook - Separator Pressure	1
29	55076055	Front Guide Plate	1
30	C203 5086	Guide Plate	1
31	C201 5077	Lower Separation RollerAss'y	1
32	55076828	Rubber Plate - Feed Table	1
33	C203 2737	Paper Feed Decal	1

ndex No.	Part No.	Description	Q'ty Per Assembly
100	03140080Z	Philips Screw - 4x8	
101	0801 1004	Screw - M4x4	
102	0323 0100Z	Philips Sunken Head Screw - M3x10	
103	0951 3006Z	Philips Screw With Flat Washer - M3	
104	0713 0040B	Hexagon Nut - M4	
105	07200040Z	Retaining Ring - M4	
106	0951 4008Z	Philips Screw With Flat Washer - M4x8	
107	0574 0040E	Hexagon Headless Set Screw - M4x4	
108	0951 3005Z	Philips Pan Head Screw - M3 x 5	
109	0951 4008Z	Philips Screw With Flat Washer - M4x8	
110	0801 1135	Philips Pan Head Screw - M3x3	
111	0314 0100Z	Philips Screw - 4x10	

9. PAPER FEED DRIVE (C216)

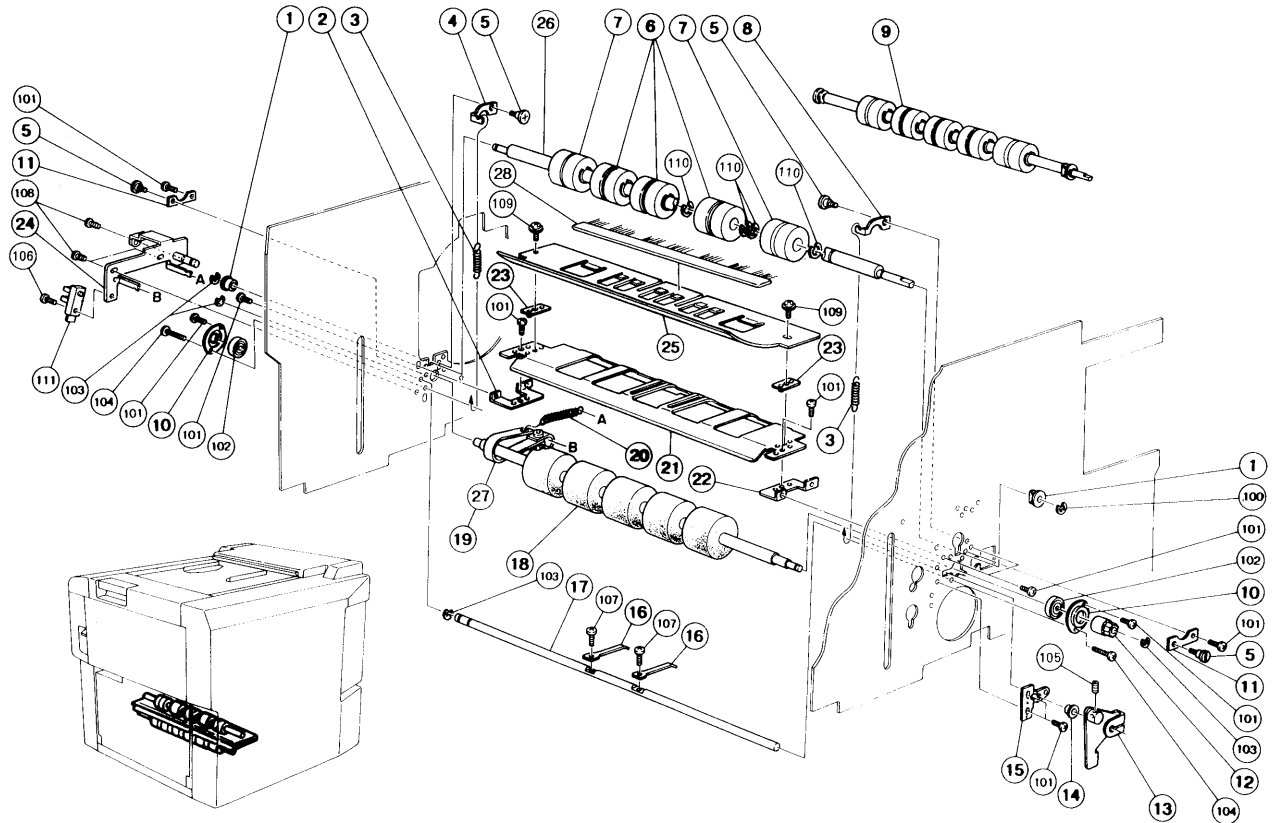


9. PAPER FEED DRIVE (C216)

Index No.	Part No.	Description	Q'ty Per Assembly
1	55015929	Spacer - 5.2 mm x 16mm x 1	1
2	C2035194	Shoulder Screw - M4	1
3	C219 5127	Sector Gear Stud	1
4	C2005190	Paper Feed Sector Cam	1
5	C2245101	Sector Gear	1
6	56001086	Spacer -10.2 x 20	1
7	C200 5222	Sector Spring	2
8	C200 5205	Paper Feed Spring	1
9	C203 5180	Sector Gear Stopper	1
10	C201 2228	Feed Cam Shaft	1
11	C2135110	Paper Feed Cam	1
12	C200 5238	Sector Stopper - Feed Roller	1
13	C200 5235	Paper Feed Solenoid Spring	1
14	C200 8432	Paper Feed Solenoid	1
15	C200 5226	Link - Paper Feed Solenoid	1
16	C200 5225	Bracket - Paper Feed Solenoid	1
17	C203 2073	Stopper Stud - Paper Feed	1
18	C201 5101	Link	1

Index No.	Part No.	Description	Q'ty Per Assembly
100	0725 0220Z	Retaining Ring - M22	
101	07403007	Ball Bearing - 7x19x6mm	
102	08075004	Washer	
103	0713 0040B	Hexagon Nut - M4	
104	08077018	Washer - M10	
105	0720 0060Z	Retaining Ring - M6	
106	0720 0080Z	Retaining Ring - M8	
107	0701 0040Z	Flat Washer - M4	
108	08077013	Spacer -10.2 x 14x 0.2 mm	
109	0624 0160E	Spring Pin - 4x16mm	
110	08044048	Spring Pin - 4x20	
111	08077055	Holder - Main Shaft	
112	0741 3807S	Bearing	
113	0720 0040Z	Retaining Ring - M4	
114	0623 0100E	Spring Pin - 3x10mm	
115	0951 4006Z	Philips Screw With Flat Washer - M4	
116	03130040Z	Philips Pan Head Screw - M3x4	
117	0713 0050B	Hexagon Nut - M5	
118	0712 0060Z	Hexagon Nut - M6	
119	0594 0060E	Socket Screw - 4x6	

10. 2ND FEED ROLLER (C216)



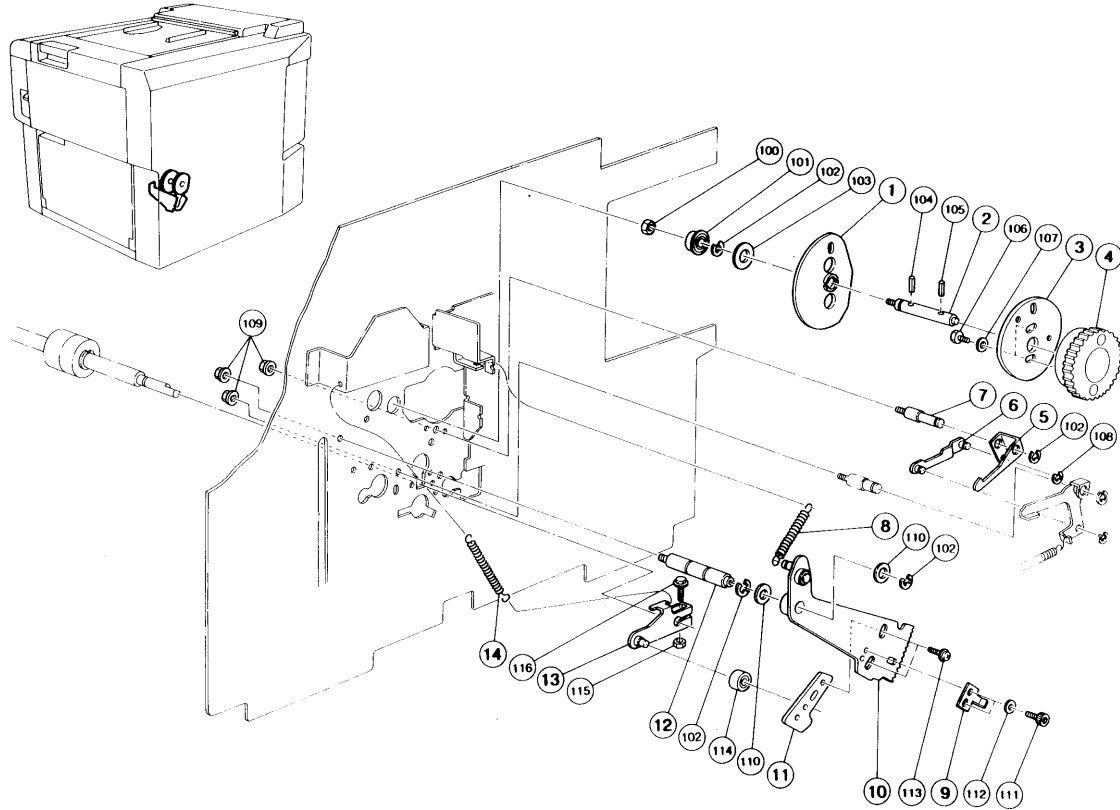
10. 2ND FEED ROLLER (C216)

Index No.	Part No.	Description	Q'ty Per Assembly
1	C2005150	Bushing - 7x18x9mm	2
2	C200 5137	Left Bracket - Guide Plate	1
3	55056528	Spring - Press Roller	2
4	C2005154	Left Spring Arm	1
5	C201 5125	Shoulder Screw - M4	4
6	C207 5148	Upper Feed Roller	3
7	C200 5340	Upper Feed Roller	2
8	C2005155	Right Spring Arm	1
9	C207 5138	Upper Feed RollerAss'y	1
10	C201 5134	Bearing Holder	2
11	C2005153	Bushing Supporter	2
12	C207 5231	Gear - 2nd Feed Roller	1
13	C209 5515	Paper Detecting Arm	1
14	56001080	Bush - Paper Feed Roller - Left	1
15	C201 5505	Height Sensor Bracket	1
16	C200 5504	Paper Detecting Pin	2
17	C200 5503	Paper Detecting Shaft	1
18	C203 5230	Lower Second Feed Roller	1
19	C2035198	Feed Roller BrakeAss'y	1
20	55018328	Spring - Feed Roller Brake	1
21	C201 5124	Lower Guide Plate	1
22	C2005138	Right Bracket - Guide Plate	1
23	C2075125	Guide Plate Spacer	2
24	C213 2034	Counter Sensor Shaft	1
25	C2075123	Upper Guide Plate	1
26	C201 5139	Lower Shaft - Feed Roller	1
27	56062213	Lower Second Feed Roller Brake - Belt	1
28	C213 5500	Antistatic Brush	1



Index No.	Part No.	Description	Q'ty Per Assembly
100	0720 0060Z	Retaining Ring - M6	
101	03140080Z	Philips Screw - 4x8	
102	07403010	Ball Bearing - 10x26x8mm	
103	0720 0050Z	Retaining Ring - M5	
104	03140200Z	Philips Screw - 4x20	
105	0573 0050E	Hexagon Harness Set Screw - M3x5	
106	0314 0100Z	Philips Screw - 4x10	
107	03130050Z	Philips Screw - 3x5	
108	0720 0050Z	Retaining Ring - M5	
109	0951 4006Z	Philips Screw With Flat Washer - M4	
110	08050084	Retaining Ring	
111	AW02 0041	Photointerruptor - EE-SX450-P1	

11. 2ND FEED DRIVE (C216)

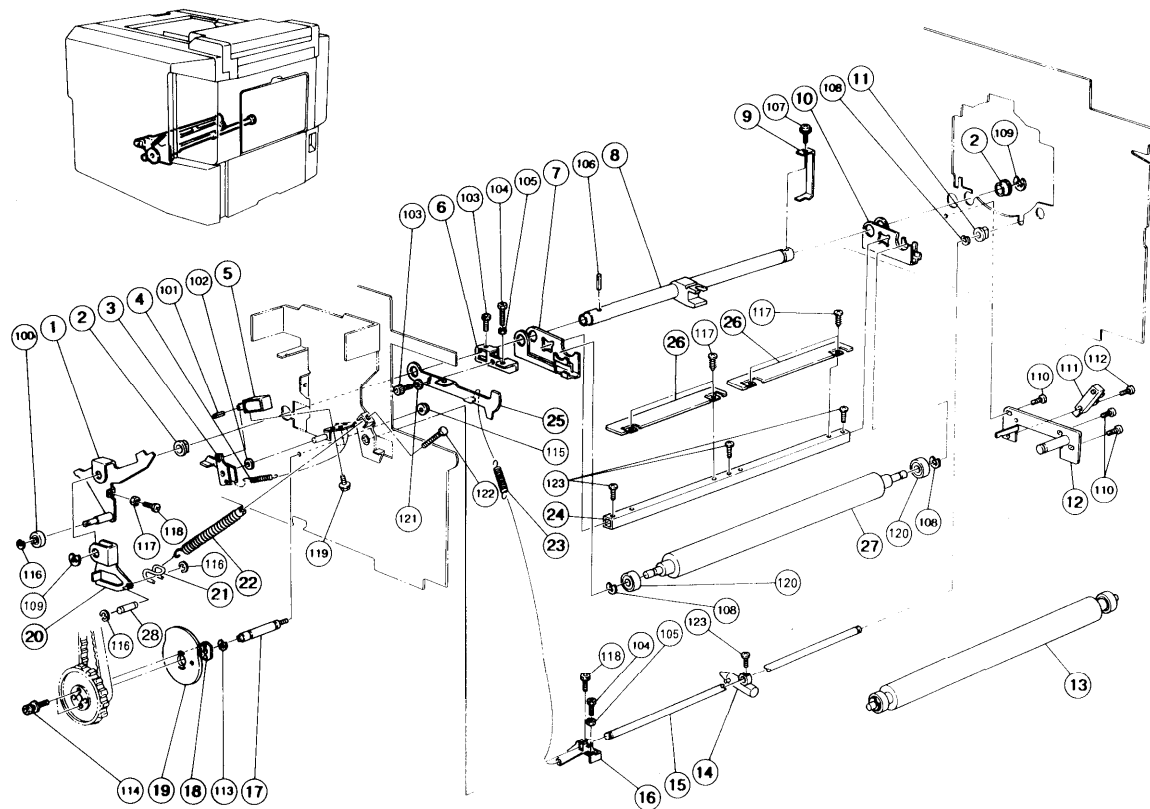


11. 2ND FEED DRIVE (C216)

Index No.	Part No.	Description	Q'ty Per Assembly
1	C2135110	Paper Feed Cam	1
2	C201 2228	Feed Cam Shaft	1
3	C213 5120	Second Feed Roller Cam	1
4	C201 2229	Gear - 50T	1
5	C200 5239	Feed Sector Stopper	1
6	C201 5101	Link	1
7	C203 2075	Feed Gear Stopper Shaft	1
8	C200 5222	Sector Spring	1
9	C203 5191	Sector Gear Stopper	1
10	C203 5184	Sector Gear	1
11	C200 5223	Lift Cam	1
12	C203 2072	Feed Cam Shaft	1
13	C201 5142	Lift Arm - Feed Roller	1
14	C201 5145	Lift Arm Spring	1

Index No.	Part No.	Description	Q'ty Per Assembly
100	0712 0060Z	Hexagon Nut - M6	
101	0741 3807S	Bearing	
102	0720 0080Z	Retaining Ring - M8	
103	08077055	Holder - Main Shaft	
104	08044048	Spring Pin - 4x20	
105	0624 0160E	Spring Pin - 4x16mm	
106	0585 0100Z	Bolt - M5x10	
107	0701 0050Z	Flat Washer - M5	
108	0720 0040Z	Retaining Ring - M4	
109	07130050B	Hexagon Nut - M5	
110	08077018	Washer - M10	
111	0594 0060E	Socket Screw - 4x6	
112	0701 0040Z	Flat Washer - M4	
113	0951 4010Z	Philips Screw With Flat Washer - M4x10	
114	07403808	Bearing - 8x16x5mm	
115	0713 0040B	Hexagon Nut - M4	
116	08046090	Hexagon Bolt - M4	

12. PRESS ROLLER (C216)

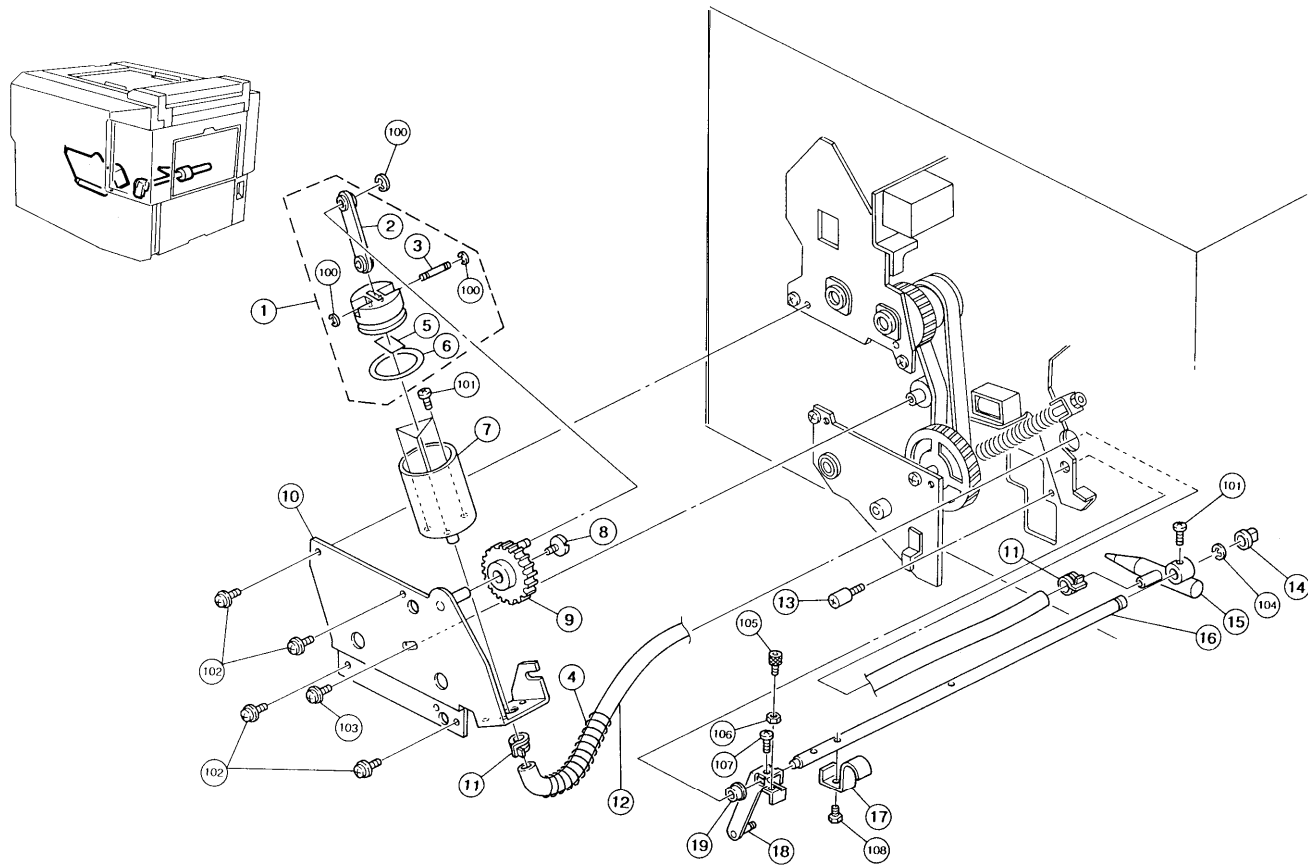


12. PRESS ROLLER (C216)

nd ex No.	Part No.	Description	Q'ty Per Assembly
1	C200 5566	Pressure On/Off Lever	1
2	C200 5526	Print Pressure Bushing	2
3	C200 5565	Print Pressure Stopper	1
4	55017559	Spring - Master Feed	1
5	C200 8432	Paper Feed Solenoid	1
6	C200 6002	Adjusting Arm	1
7	C200 5553	Right Arm - Print Pressure	1
8	C203 5505	Print Pressure Shaft	1
9	C203 5507	Shielding Plate	1
10	C200 5552	Left Arm - Print Pressure	1
11	50530223	Bushing - 8mm	1
12	C213 2034	Counter Sensor Shaft	1
13	C203 5509	Press Roller Ass'y	1
14	C213 6050	Exit P a w l	1
15	C213 6003	Pawl Shaft	1
16	C200 6004	Exit Pawl Lever	1
17	C200 2225	Pressure Cam Shaft	1
18	C200 2224	Plate Nut - Print Pressure Cam	1
19	C213 5560	Print Pressure Cam	1
20	C200 5541	Print Pressure Arm	1
21	C209 5543	Press Roller Spring Link	1
22	56073261	Print Pressure Spring	1
23	56072814	Roller Spring	1
24	C201 5550	Printing Pressure Stay	1
25	C203 6004	Pawl Cam	1
26	C200 5557	Rear Guide Plate	2
27	C201 5555	Press Roller	1
28	C2095521	Joint Shaft	1

nd ex No.	Part No.	Description	Q'ty Per Assembly
100	07403206	Ball Bearing	1
101	06230100E	Spring Pin - 3x10mm	1
102	0700 0060G	Flat Washer - M6	1
103	0594 0060E	Socket Screw - 4x6	1
104	0584 0121Z	Hexagon Bolt - M4x12	1
105	0710 0040Z	Hex Nut 4	1
106	08044060	Spring Pin - M4x22	1
107	0951 4008Z	Philips Screw With Flat Washer - M4x8	1
108	0720 0060Z	Retaining Ring - M6	1
109	0720 0120Z	Retaining Ring - M12	1
110	03140080Z	Philips Screw - 4x8	1
111	AW02 0041	Photointerruptor - EE-SX450-PI	1
112	03140100Z	Philips Screw - 4x10	1
113	0720 0100Z	Retaining Ring - M10	1
114	08046092	Hexagonal Set Screw	1
115	0713 0050B	Hexagon Nut - M5	1
116	0720 0040Z	Retaining Ring - M4	1
117	0433 0080Z	Tapping Screw - M3x8	1
118	0593 0080E	Bolt M3x8	1
119	08046101	Hexagon Bolt - M3	1
120	07403007	Ball Bearing - 7x19x6mm	1
121	0701 0040Z	Flat Washer - M4	1
122	05860451Z	Hexagon Bolt - M6x45	1
123	0313 0060Z	Philips Pan Head Screw - M3x6	1

13. AIR KNIFE SECTION (C216)



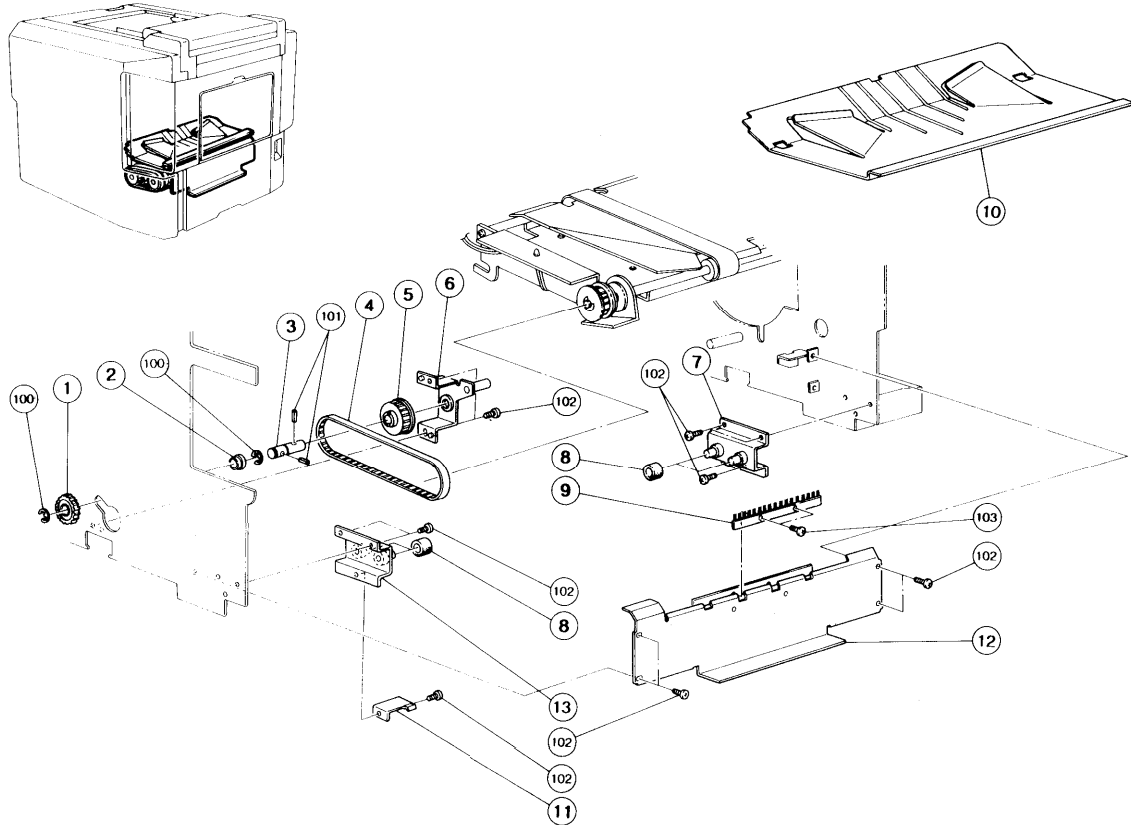
13. AIR KNIFE SECTION (C216)

Index No.	Part No.	Description	Q'ty Per Assembly
1	C213 6037	Air Piston Ass'y	1
2	C213 6038	Piston Link	1
3	C209 6213	Piston Pin - Air Pump	1
4	AA06 3014	Spring - Supply Tube	1
5	C213 6042	Piston Valve	1
6	C213 6041	O-Ring -33.7	1
7	C213 6043	Air Pump Cylinder	1
8	55066197	Screw - Knife Cam - Leading Edge Cl	1
9	C219 6033	Gear -	1
10	C213 6030	Reinforcement Plate	1
11	C209 4711	Hose Band	2
12	C209 6219	Air Hose	1
13	55066073	Stopper - Holder - Master Hold/Down	1
14	C200 5526	Print Pressure Bushing	1
15	C213 6044	Exit Pawl	1
16	C213 6003	Pawl Shaft	1
17	C209 6225	Hose Clamp	1
18	C200 6004	Exit Pawl Lever	1
19	C203 2083	Exit Pawl Bushing	1



Index No.	Part No.	Description	Q'ty Per Assembly
100	0720 0030Z	Retaining Ring - M3	
101	0313 0060Z	Philips Pan Head Screw - M3x6	
102	0960 4008Z	Flange Head Screw -4 x 8	
103	0960 5008Z	Philips Flange Screw - M5x8	
104	0720 0060Z	Retaining Ring - M6	
105	0584 0121Z	Hexagon Bolt - M4x12	
106	0710 0040Z	Hex Nut 4	
107	0584 0121Z	Hexagon Bolt - M4x12	
108	0583 0060Z	Hexagon Bolt - M3x6	

14. PAPER DELIVERY 1 (C216)



14. PAPER DELIVERY 1 (C216)

Index No.	Part No.	Description	Q'ty Per Assembly
1	C200 6058	Gear - 28T	1
2	50700719	Bearing - Shaft - Drive - Fitting -	1
3	C203 6064	Idol Shaft	1
4	C200 6060	Timing Belt - 170XL	1
5	C200 6059	Pulley - 25T	1
6	C203 6060	Vacuum Drive Bracket	1
7	C203 6070	Left Bracket	1
8	C203 6076	Slider Roller	2
9	C200 6135	Antistatic Brush	1
10	C213 6201	Shelter Plate	1
11	C203 6077	Leaf Spring	1
12	C213 6081	Paper Delivery Plate	1
13	C2036073	Right Bracket	1

Index No.	Part No.	Description	Q'ty Per Assembly
100	07200080Z	Retaining Ring - M8	
101	0623 0180E	Spring Pin - 3x18mm	
102	0314 0080Z	Philips Screw - 4x8	
103	0313 0040Z	Philips Pan Head Screw - M3x4	

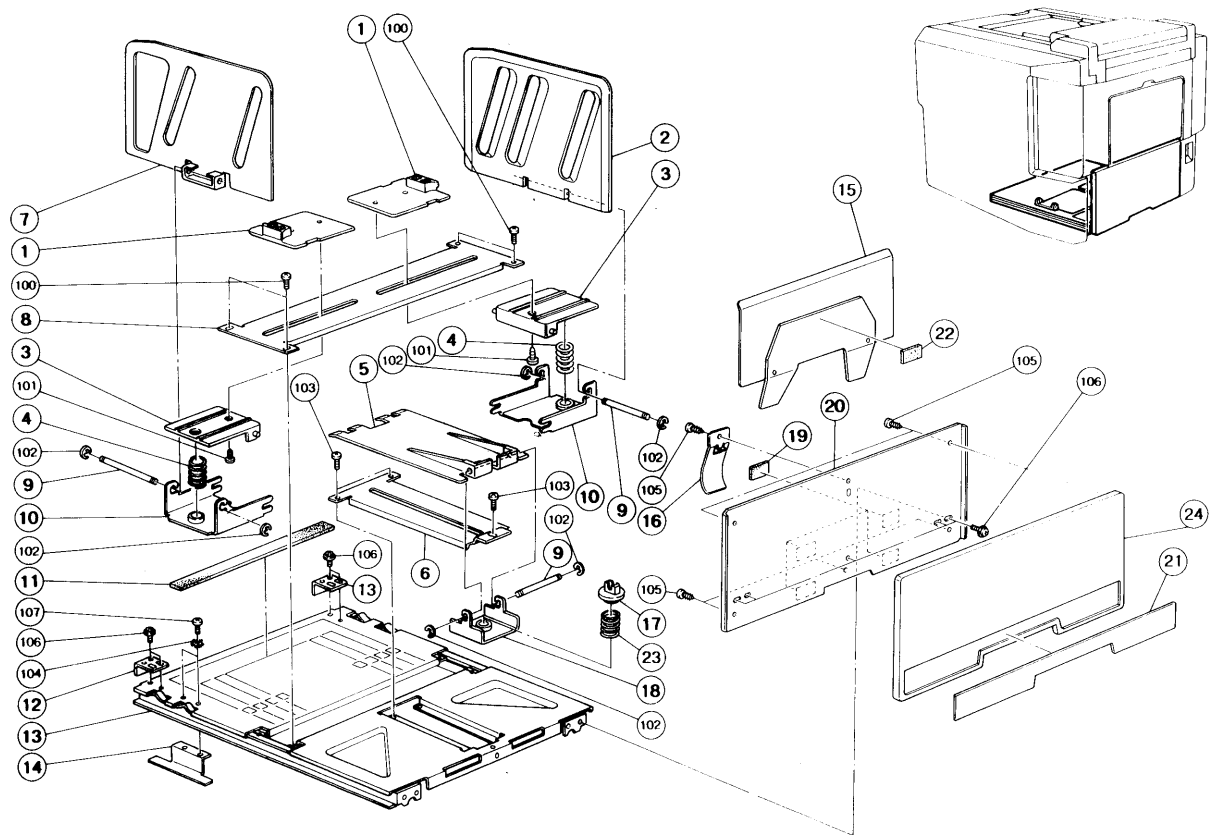
15. PAPER DELIVERY 2 (C216)

nd ex No.	Part No.	Description	Q'ty Per Assembly
*	C213 1027	Paper Delivery Unit	1
1	C213 6019	Idler Roller Shaft	1
2	C207 6011	Transport Belt	4
3	C213 6008	Idler Roller - Transport Belt	4
4	C207 8053	1st Paper Exit Sensor Harness	1
5	C213 6005	Vacuum Plate	1
6	14030456	Photo Sensor	2
7	C207 8055	2nd Paper Exit Sensor Harness	1
8	C213 6017	Vacuum Duct	1
9	08053452	Ball Bearing - 10x22x6mm	2
10	C213 8412	Blower Motor Harness	
11	C224 6009	Driven Roller - Transport Belt	1
12	C213 6001	Vacuum Plate Base	1
13	C200 8408	Motor - AC15W	1
14	C201 6080	Pulley - 16T	1
15	C203 6065	Pulley Flange	1



nd ex No.	Part No.	Description	Q'ty Per Assembly
100	0720 0080Z	Retaining Ring - M8	
101	08077013	Spacer -10.2 x 14x 0.2 mm	
102	0434 0060Z	Tapping Screw - M4x6	
103	0313 0100Z	Philips Pan Head Screw - M3x10	
104	0960 4008Z	Flange Head Screw -4 x 8	
105	0584 0060W	Hexagon Bolt - M4x6	
106	0594 0080E	Bolt - M4x8	
107	0554 0040E	Alien Screw - M4x4	
108	0623 0160E	Spring Pin - 3x16mm	

16. DELIVERY TABLE (C216)



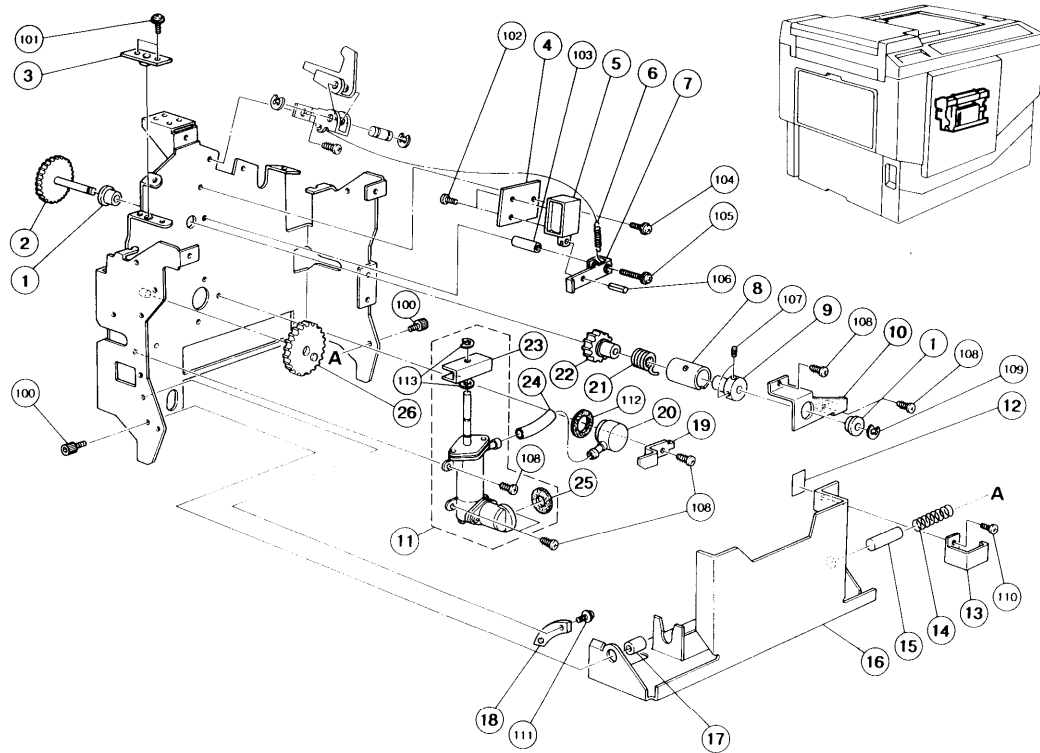
16. DELIVERY TABLE (C216)

Index No.	Part No.	Description	Q'ty Per Assembly
1	C2036123	Guide Slider	2
2	C213 6118	Left Guide Plate	1
3	C2036122	Guide Plate Slider	2
4	C2076125	Guide Plate Spring	2
5	C207 6132	Support End Fence	1
6	C2036129	End Fence Support Rail	1
7	C213 6119	Right Guide Plate	1
8	C203 6115	Guide Plate Rail	1
9	C2036132	End Fence Support Shaft	3
10	C203 6124	Guide Plate Bracket	2
11	C2036139	SpongeSeal-4x12x200	1
12	C203 6078	DeliveryTable Stopper	1
13	C2076220	DeliveryTable-LT	1
13	C2076104	DeliveryTable-A4	1
14	C2036138	Antistatic Bracket	1
15	C203 6150	End Fence Ass'y	1
16	C2036147	Leaf Spring	1
17	C203 6134	End Fence Support Slider	1
18	C203 6135	Support Bracket	1
19	C203 6145	Rubber Seal-2x20x30	4
20	C203 6143	Delivery Table Fence	1
21	C2012447	Paper Delivery Cover Sheet	1
22	C213 6110	Felt - Side Plate	1
23	C2036125	Guide Plate Spring	1
24	C201 2445	Paper Delivery Cover	1

Index No.	Part No.	Description	Q'ty Per Assembly
100	0314 0080Z	Philips Screw - 4x8	
101	04330082Z	Tapping Screw- M3x8	
102	07200030Z	Retaining Ring - M3	
103	0313 0060Z	Philips Pan Head Screw - M3x6	
104	0704 0030W	Toothed Washer - M3	
105	0433 0062W	Hexagon Head Tapping Screw - M3x6	
106	0951 4008Z	Philips Screw With Flat Washer - M4x8	
107	0313 0060W	Philips Pan Head Screw - M3x6	



17. DRUM SECTION 1 (C216)

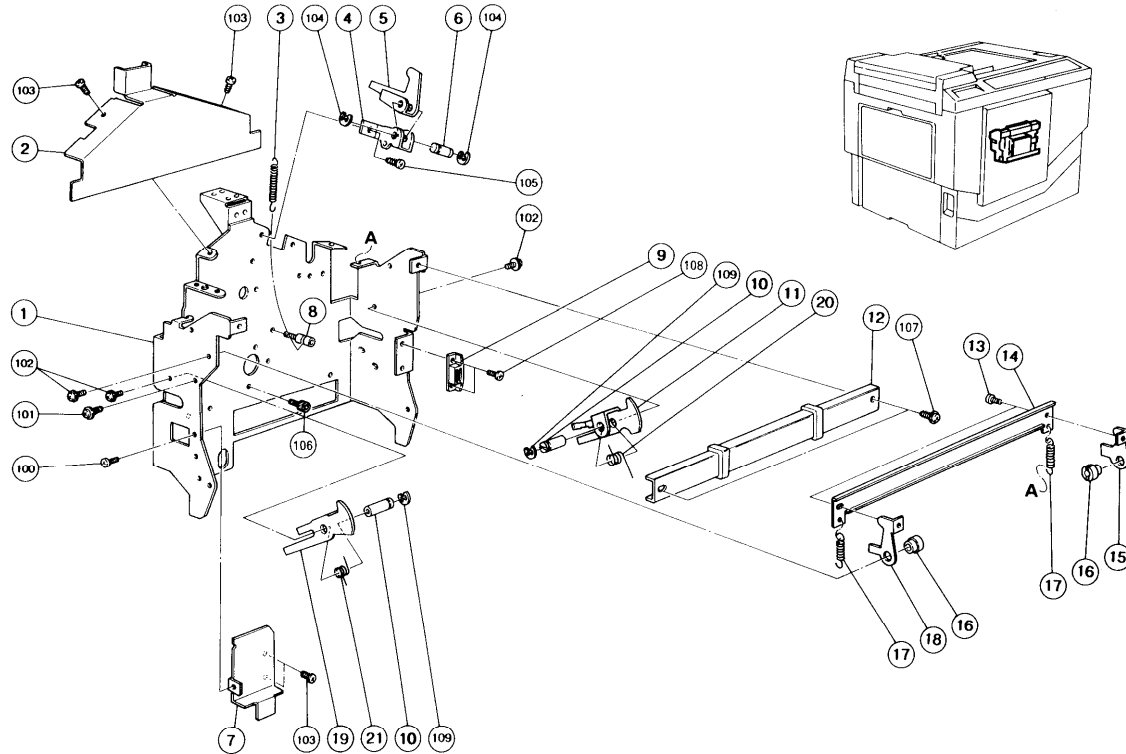


17. DRUM SECTION 1 (C216)

ndex No.	Part No.	Description	Q'ty Per Assembly
1	55076624	Bushing - 8x16x45mm	2
2	C200 4852	Gear - 50T	1
3	C200 4814	Bushing - 6x10x55mm	1
4	C200 4864	Bracket - Ink Supply Solenoid	1
5	C201 8062	Ink Supply Solenoid	1
6	56073705	Drive Spring	1
7	C200 4862	Ink Stopper	1
8	C200 4861	Pump Clutch Sleeve	1
9	C201 4067	Pump Clutch Collar	1
10	C201 4677	Clutch Bracket	1
11	C201 4670	Ink Pump	1
12	C200 4928	Seal - 0.5x14x9	1
13	C201 4639	Ink Holder Handle	1
14	C201 4682	Ink Cartridge Spring	1
15	C200 4924	Right Shaft - Ink Holder	1
16	C203 4553	Ink Holder	1
17	C200 4923	Left Shaft - Ink Holder	1
18	C200 4926	Ink Holder Cam	1
19	C200 4813	Support Plate - Ink Antechamber	1
20	C213 4810	Ink Antechamber	1
21	C201 4676	Clutch Spring	1
22	C201 4674	Gear - 25T	1
23	C201 4679	Ink Pump Slider	1
24	C200 4815	Vinyl Tube - M6	1
25	C200 4826	Pump Rubber	1
26	C200 4867	Gear - 50T	1

ndex No.	Part No.	Description	Q'ty Per Assembly
100	0595 0080Z	Bolt - M5x8	
101	0951 4006Z	Philips Screw With Flat Washer - M4	
102	03130040Z	Philips Pan Head Screw - M3x4	
103	0707 4160B	Bushing - 4x16mm	
104	0960 4006Z	Philips Frange Screw - M4x6	
105	0951 4020Z	Philips Screw With Flat Washer - M4	
106	0623 0080E	Spring Pin - 3x8mm	
107	0574 0050E	Hexagon Headless Set Screw - M4x5	
108	0434 0080Z	Tapping Screw - M4x8	
109	0720 0060Z	Retaining Ring - M6	
110	03140060Z	Philips Pan Head Screw - M4x6	
111	09514010Z	Philips Screw With Flat Washer M4 x	
112	08080021	Rubber Ring	
113	07200050Z	Retaining Ring - M5	

18. DRUM SECTION 2 (C216)

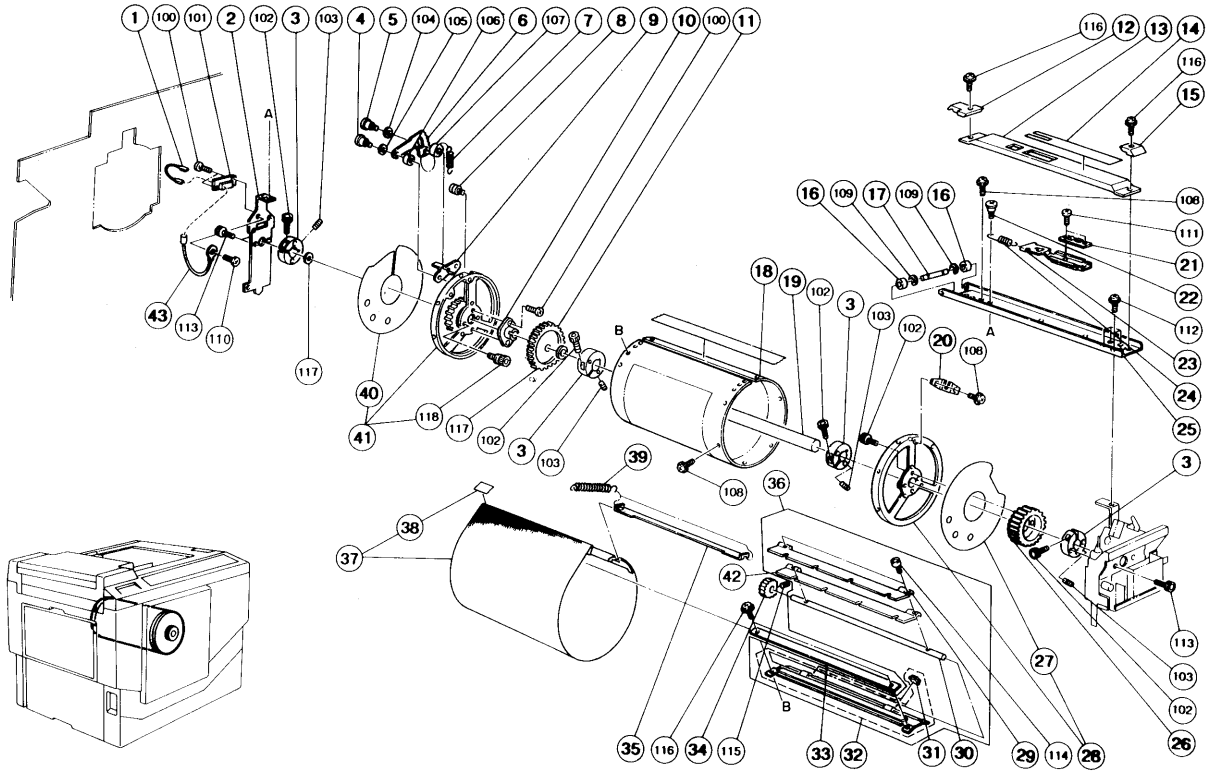


18. DRUM SECTION 2 (C216)

Index No.	Part No.	Description	Q'ty Per Assembly
1	C201 4621	Drum Side Plate	1
2	C200 4622	Side Plate Cover - Drum	1
3	C200 4914	DrumStopperSpring	1
4	C200 4912	Drum Stopper Bracket	1
5	C203 4532	Drum Stopper	1
6	C200 4913	DrumStopperShaft	1
7	C2004623	RearCover- Drum Side Plate	1
8	54132266	Spring Anchor	1
9	50540536	Magnet Catch Ass'y	1
10	C200 4633	Drum Lock Shaft -Long	2
11	C200 4632	RightArm -Drum Lock	1
12	C201 4636	Drum Unit Handle	1
13	54003404	Stepped Screw	2
14	C2004639	Release Lever - Drum Lock	1
15	C200 4637	Right Stopper - Drum Lock	1
16	C200 4638	Drum Lock Shaft - Small	2
17	C2004640	Stopper Spring - Drum Lock	2
18	C200 4636	Left Stopper - Drum Lock	1
19	C200 4631	Left Arm - Drum Lock	1
20	C200 4635	Drum Lock Spring - Right	1
21	C200 4634	Drum Lock Spring - Left	1

Index No.	Part No.	Description	Q'ty Per Assembly
100	0434 0060Z	Tapping Screw - M4x6	
101	04340100Z	Pan Head Self-tapping Screw - M4x10	
102	0951 4006Z	Philips Screw With Flat Washer M4	
103	0434 0060Z	Tapping Screw - M4x6	
104	0720 0050Z	Retaining Ring - M5	
105	0434 0080Z	Tapping Screw - M4x8	
106	0594 0080E	Bolt - M4x8	
107	0964 4008Z	Tapping Screw W/Washer - M4x8	
108	0314 0060Z	Philips Pan Head Screw - M4x6	
109	0720 0060Z	Retaining Ring - M6	

19. DRUM SECTION 3 (C216)



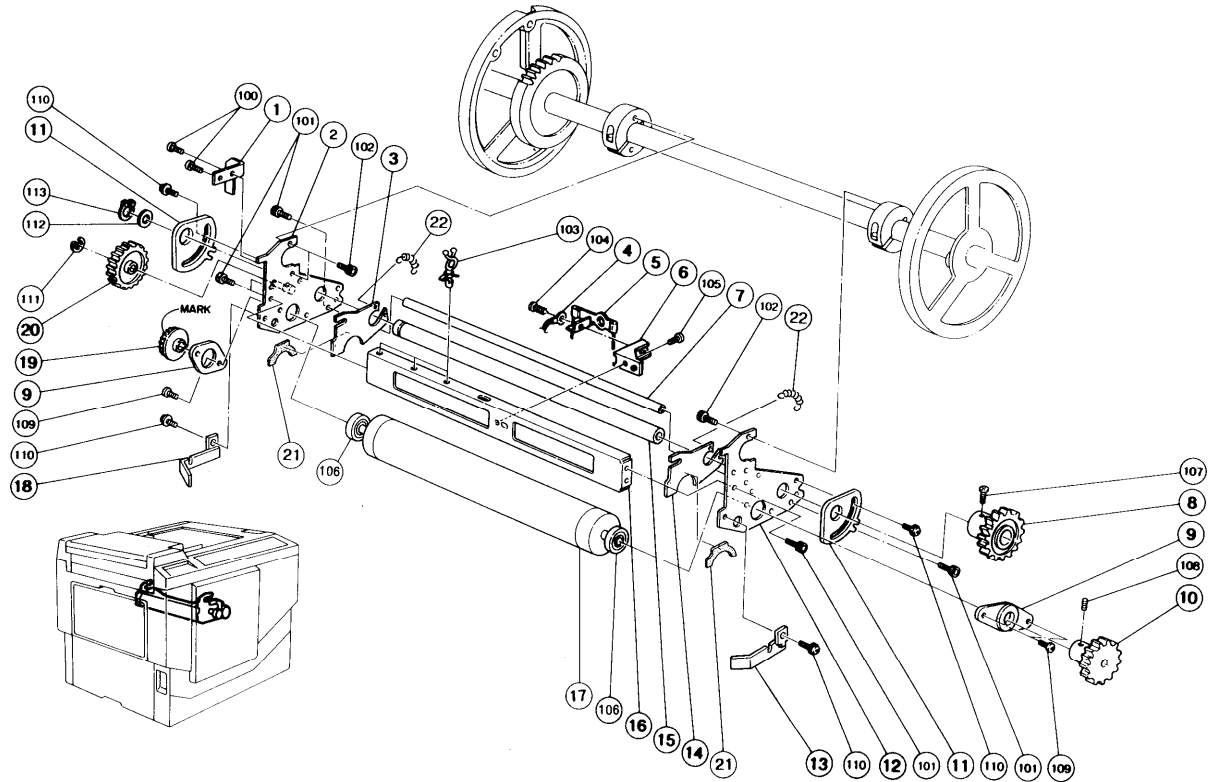
19. DRUM SECTION 3 (C216)

ndex No.	Part No.	Description	Qty Per Assembly
1	C200 8524	Color Drum Harness	1
2	C200 4613	Rear Side Plate - Drum	1
3	C200 4653	Drum Shaft Bracket	4
4	55066069	Step Screw - Etching Middle Roller	1
5	C200 4946	Clamper Sector Shaft	1
6	C200 4944	Sector Gear - 9T	1
7	C200 4945	Sector Gear Spring	1
8	54133082	Spring Anchor - Lock Lever	1
9	C201 4686	Interrupter Plate	1
10	C200 4674	Drive Flange - Ink Roller	1
11	C200 4672	Gear - 48T	1
12	C207 4612	Rear Roller Guide	1
13	C201 4613	Drum Rail Cover	1
14	C201 2543	Decal - Drum Caution	1
15	C207 4611	Front Stopper Guide	1
16	C201 4604	Drum Rail Roller	2
17	C200 4627	Drum Rail Shaft	1
18	C215 4690	Metal Screen	1
19	C200 4650	Drum Shaft	1
20	C201 4681	Stopper Plate	1
21	C201 4609	Stopper Release Lever	1
22	55066111	Step Screw - Stopper - Upper Guide	1
23	C201 4606	Stopper Releasing Plate	1
24	C201 4610	Drum Slider Spring	1
25	C200 4625	Drum Rail	1
26	C200 4673	Gear - 50T	1
27	C200 4678	Front Shield - Drum Flange	1
28	C201 4648	Front Drum Flange	1
29	C207 4938	Clamper Plate	1
30	C219 4941	Clamper Shaft	1
31	C222 4947	Clamper Rubber	2
32	C215 4950	Drum Clamper Base Ass'y	1
33	C200 4682	Screen Front Plate	1
34	C200 4942	Pinion - 9T	1
35	C200 4683	Screen Rear Plate	1



ndex No.	Part No.	Description	Qty Per Assembly
36	C215 4948	Drum Clamper Ass'y → C2194948	1
37	C213 4583	Stainless Screen → C2194583	1
38	C207 4550	Sensor Sheet - 8x20	1
39	C203 4524	Screen Plate Spring Teltron Screen	1
40	C200 4679	Rear Shield - Drum Flange - B4	1
41	C213 4560	Rear Drum Flange	1
42	C207 4940	Clamper Magnet	1
43	C200 8522	Ground Wire	1
100	031400802	Philips Screw - 4x8	1
101	11021341	Connector - 8P	1
102	0595 0140E	Hexagon Bolt - M5x14	1
103	0575 0080E	Hexagon Headless Set Screw - M5x8	1
104	08074126	Flat Washer - 6.2x12 x0.2mm	1
105	08075044	Spacer - 8.1mm x 11.5mm x0.2	1
106	08075076	Washer - 8x13x2.2mm	1
107	08073103	Washer - 4x13x2.3mm	1
108	095140062	Philips Screw With Flat Washer - M4	1
109	0720 0050Z	Retaining Ring - M5	1
110	0314 0060Z	Philips Pan Head Screw M4x6	1
111	032300502	Philips Sunken Head Screw - M3x5	1
112	096040062	Philips Flange Screw - M4x6	1
113	059400802	Bolt - M4x8	1
114	08046091	Hexagonal Set Screw - M2x5	1
115	0574 0050E	Hexagon Headless Set Screw - M4x5	1
116	095140082	Philips Screw With Flat Washer - M4x8	1
117	08077114	Washer - 16x24x0.3mm	1
118	08046092	Hexagonal Set Screw	1

20. DRUM SECTION 4 (C216)

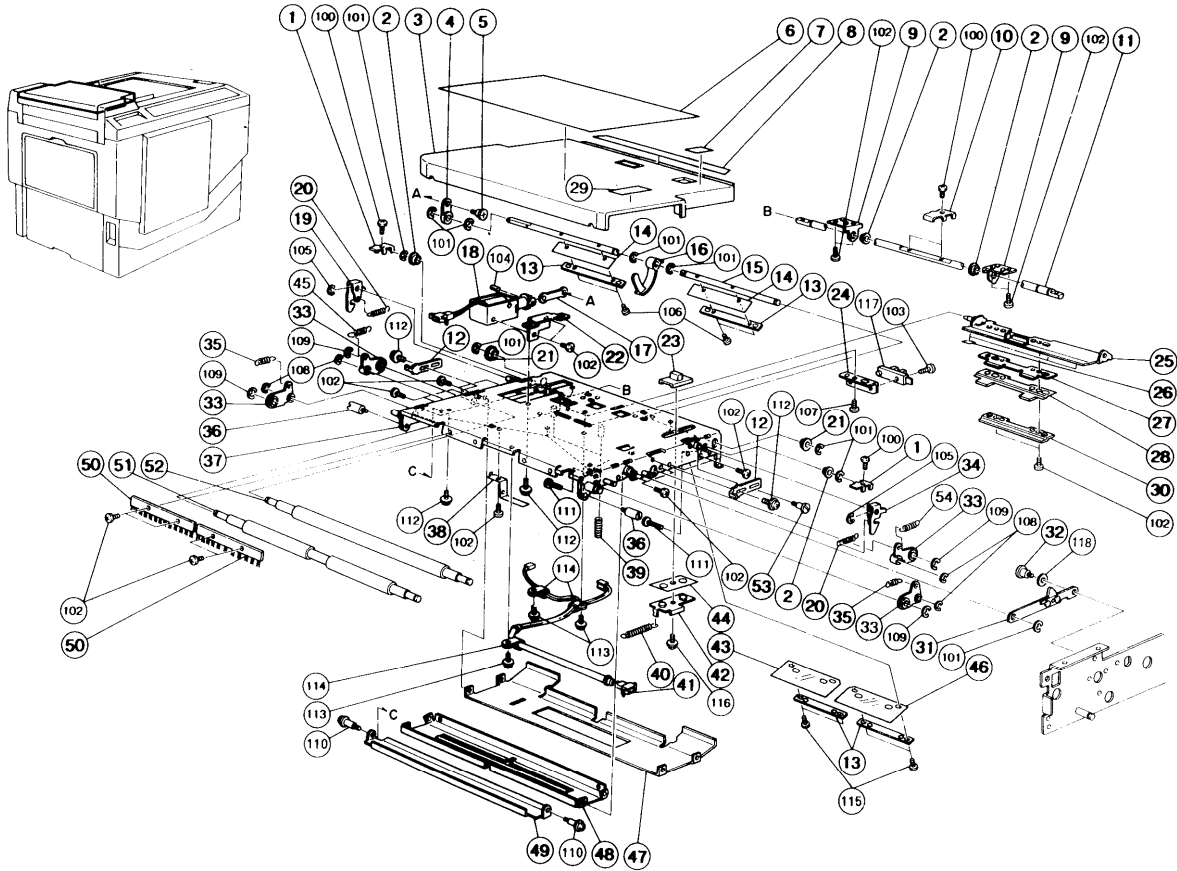


20. DRUM SECTION 4 (C216)

Index No.	Part No.	Description	Qty Per Assembly
1	C200 4749	Ground Plate	1
2	C207 4665	Rear Side Plate - Ink Roller	1
3	C215 4551	Rear Bank Plate	1
4	C200 8520	Ink Detector Harness	1
5	C203 4543	Ink Detector	1
6	C200 4733	Ink Detector Bracket	1
7	C200 4715	Shaft Stay - Ink Roller	1
8	C200 4748	Gear - 45T	1
9	C201 4665	Bearing Holder	2
10	C200 3629	Gear - 20T	1
11	C200 4723	Adjusting Plate - Doctor Roller	2
12	C207 4664	Front Side Plate - Ink Roller	1
13	C207 4745	Front Drum Blade	1
14	C215 4550	Front Bank Plate	1
15	C200 4722	Drum Doctor Roller	1
16	C201 4664	Ink Roller Stay	1
17	C201 4666	Drum Ink Roller	1
18	C2074746	RearDrum Blade	1
19	C2074670	Gear-24Z	1
20	C2074672	Gear - 36Z	1
21	C2154554	Sponge-BankPlate	2
22	C2154557	Spring	2

Index No.	Part No.	Description	Qty Per Assembly
100	03140080Z	Philips Screw-4x8	
101	05940060E	Socket Screw-4x6	
102	05940080Z	Bolt - M4x8	
103	11050209	Clamp	
104	04340082Z	Tapping Screw- M4x8	
105	03140060Z	PhilipsPan Head Screw-M4x6	
106	07403206	Ball Bearing	
107	03130050Z	Philips Screw - 3x5	
108	05730040E	Hexagon Headless Set Screw-M3x4	
109	03130040Z	Philips Pan Head Screw- M3x4	
110	09514006Z	Philips Screw With Flat Washer-M4	
111	07200050Z	Retaining Ring - M5	
112	08077114	Washer - 16x24x0.3mm	
113	0725 0160E	Retaining Ring C - M16	

21. SCANNER SECTION 1 (C216)



21. SCANNER SECTION 1 (C216)

Index No.	Part No.	Description	Q'ty Per Assembly
*	C2163120	ADF Unit - LT	1
*	C216 3130	ADF Unit - A4	1
1	C202 3057	ADF Pawl	2
2	C202 3054	Bushing - 5x7x3mm	4
3	C203 3206	ADF Cover	1
4	C202 3076	Pressure Arm	1
5	C2003115	Shoulder Screw - Sensor Actuator	1
6	C203 2732	Decal - How To Operate - LT	1
6	C203 2740	Decal - How To Operate - A4	1
7	C202 2430	Decal - ADF on/off	1
8	C203 2736	Decal - Original Table	1
9	C202 3051	Shaft Bracket	2
10	C202 3055	Release Arm	2
11	C202 3058	Arm Shaft	1
12	C207 3095	Adjusting Plate	2
13	C202 3121	Mylar Supporter	4
14	C2023122	Pressure Mylar	2
15	C202 3074	Pressure Shaft	1
16	C202 3075	Sensor Feeler	1
17	C202 3071	Solenoid Link	1
18	C202 8090	Original Pressure Solenoid	1
19	C202 3062	Right Hook	1
20	C202 3059	Hook Spring	2
21	50530447	Bushing - 6mm	2
22	C202 3072	Solenoid Bracket	1
23	C203 3209	Cam Knob	1
24	C202 3067	Sensor Bracket	1
25	C202 3085	Separation Bracket	1
26	C202 3098	Spacer - ADF	3
27	C202 3118	Blade Bracket	1
28	C2023115	Separation Blade	1
29	C203 2735	Decal - Open Carefully	1
30	C202 3081	Blade Holder	1
31	C202 3131	Stopper	1
32	C203 3027	Shoulder Screw - M4	1

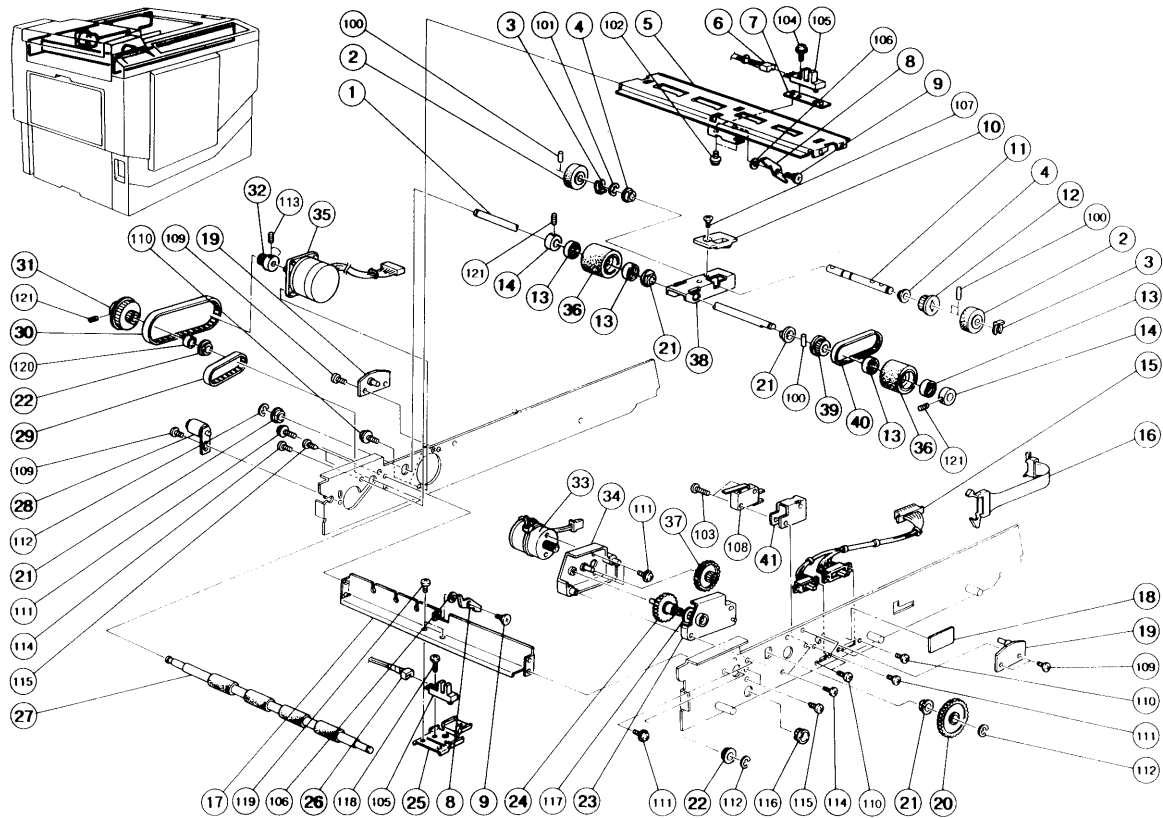
Index No.	Part No.	Description	Q'ty Per Assembly
33	C200 3048	Pressure Arm	4
34	C202 3061	Left Hook	1
35	C202 3094	Press Roller Spring	2
36	C200 3045	Shoulder Screw - Inner Cover	2
37	C2073101	ADF Base Plate	1
38	C202 3092	Platen Plate Supporter	1
39	C202 3064	Blade Pressure Spring	2
40	56062180	Sector Gear Spring	1
41	C202 8085	ADF Harness	1
42	C202 3144	ADF Cam	1
43	C202 3123	Right Mylar	1
44	C202 3147	Spacer - ADF Cam	1
45	C207 3094	Press Roller Spring	2
46	C2023124	Left Mylar	1
47	C2033111	Separation Guide Plate	1
48	C201 3066	Original Guide	1
49	C201 3067	Platen Plate	1
50	C216 3110	Antistatic Brush	2
51	C202 3107	Transport Roller	1
52	C200 3065	Original Press Roller	1
53	C202 3066	Shoulder Screw - M3	1

Index No.	Part No.	Description	Q'ty Per Assembly
100	03125050Z	Philips Pan Head Screw -M2.5x5	
101	0720 0040Z	Retaining Ring - M4	
102	0313 0050Z	Philips Screw - 3x5	
103	03140100Z	Philips Screw - 4x10	
104	0623 0120E	Spring Pin - 3x12mm	
105	0720 0030Z	Retaining Ring - M3	
106	0252 0040Z	Pan Head Screw - M2x4	
107	0951 3006Z	Philips Screw With Flat Washer - M3	
108	0720 0020Z	Retaining Ring - M2	
109	0720 0050Z	Retaining Ring - M5	
110	08030043	Screw - M3x11	
111	0313 0120Z	Philips Screw - 3x12	
112	0951 3005Z	Philips Pan Head Screw - M3 x 5	
113	0951 4006Z	Philips Screw With Flat Washer - M4	
114	11050016	Nylon Clip - 4N	
115	03125050Z	Philips Pan Head Screw - M2.5x5	
116	0960 3006Z	Philips Flange Screw - M3x6	
117	AW02 0041	Photointerruptor - EE-SX450-P1	
118	0701 0040Z	Flat Washer - M4	



Index No.	Part No.	Description	Q'ty Per Assembly

22. SCANNER SECTION 2 (C216)



22. SCANNER SECTION 2 (C216)

Index No.	Part No.	Description	Qty Per Assembly
1	C2023011	Separation Roller Shaft	1
2	58942171	Original Feed Roller	2
3	54472681	Snap Ring	2
4	50530447	Bushing-6mm	2
5	C2013035	Sensor Holder Plate	1
6	C2038085	Original Sensor Harness	1
7	C201 3074	SensorHolder- Rear	1
8	C2003114	SensorActuator	2
9	C2003115	Shoulder Screw- SensorActuator	2
10	C2023020	Pick-up Roller Spacer	1
11	C2023017	Pick-up Roller Shaft	1
12	59182223	Pulley - 24T	1
13	C2023013	Spacer- 8x16x7mm	4
14	C2013077	Fixing Ring -8x16x7mm	2
15	C2038015	Printing Density Switch	1
16	C2038086	ADF Relay Harness	1
17	C203 3036	SensorStay	1
18	C2032730	Decal -Printing Density	1
19	C2023022	ADF Stopper	2
20	C202 3019	Gear - 66T	1
21	50530223	Bushing - 8mm	4
22	55076624	Bushing - 8x16x45mm	2
23	C202 3031	Gear Cover	1
24	C2023034	Coupled Gear - 16/60T	1
25	C202 3021	Sensor Stay	1
26	C203 8084	Scanner Harness	1
27	C201 3068	First Original Feed Roller	1
28	C2033044	Tension Roller	1
29	C2003036	Timing Belt - 100XL	1
30	C2003035	Timing Belt - 123XL	1
31	C2003031	Coupled Pulley - 20T & 48T	1
32	C2023103	Pulley	1
33	C2023036	Motor - DC 1.69W	1
34	C2023032	Gear Casing	1
35	C215 8125	Original Motor - DC 24V/45.6W	1

Index No.	Part No.	Description	Qty Per Assembly
36	C202 3014	Separation Roller	2
37	C202 3035	Coupled Gear - 15T/60T	1
38	C202 3018	Pick-up Roller Bracket	1
39	58942186	Separation Roller Pulley	1
40	58942174	Timing Belt	1
41	C202 3026	Sensor Bracket	1
100	0632 0100G	Pin - 2x10mm	
101	0720 0050Z	Retaining Ring - M5	
102	0951 3005Z	Philips Pan Head Screw - M3 x 5	
103	0313 0140Z	Philips Pan Head Screw - M3x14	
104	0313 0100Z	Philips Pan Head Screw M3x10	
105	<u>AW02 0041</u>	Photointerruptor - EE-SX450-P1	
106	0701 0030Z	Flat Washer - M3	
107	0323 0050Z	Philips Sunken Head Screw - M3x5	
108	12041320	Switch	
109	08011004	Screw - M4x4	
110	0951 4008Z	Philips Screw With Flat Washer - M4x8	
111	0951 3006Z	Philips Screw With Flat Washer - M3	
112	0720 0060Z	Retaining Ring - M6	
113	0573 0040E	Hexagon Headless Set Screw - M3x4	
114	0313 0060Z	Philips Pan Head Screw - M3x6	
115	0434 0080Z	Tapping Screw - M4x8	
116	11060411	Bushing - 11.5mm	
117	08075071	Spacer - 10x0.5mm	
118	0314 0100W	Philips Pan Head Screw - M4x10	
119	0313 0060W	Philips Pan Head Screw - M3x6	
120	0707 8080B	Bushing - 8x8mm	
121	0554 0040E	Allen Screw - M4x4	

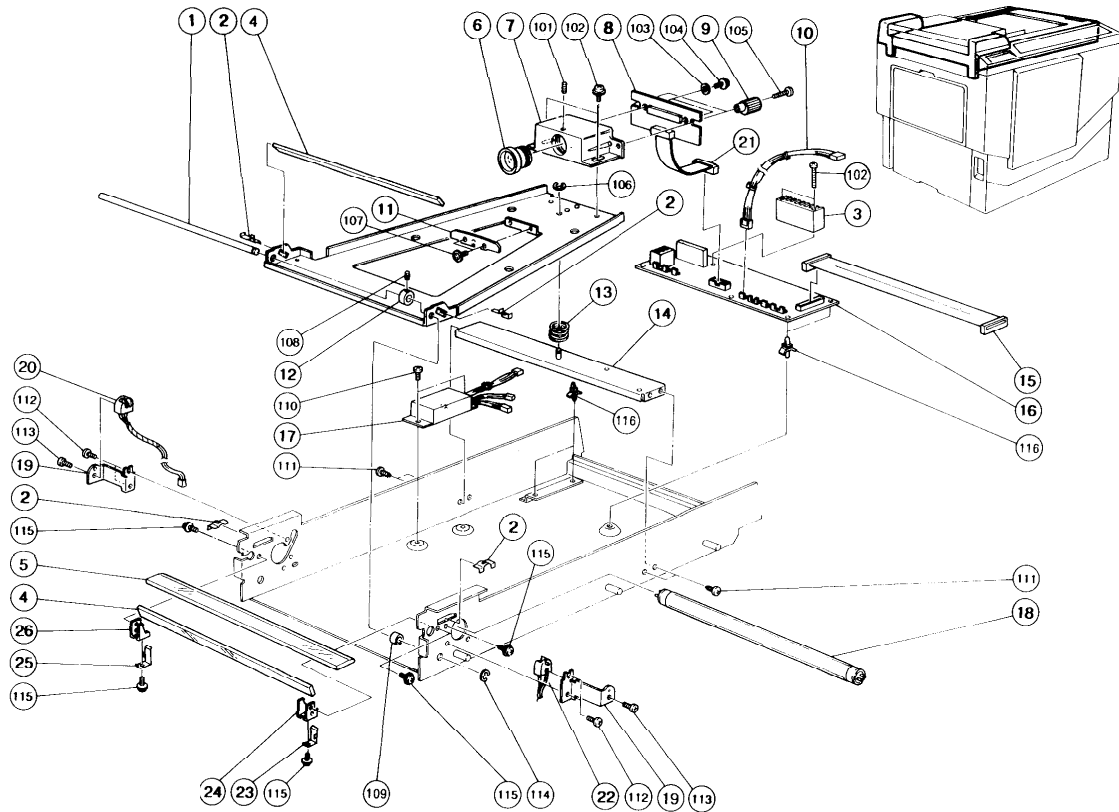


23. SCANNER SECTION 3 (C216)

nd ex No.	Part No.	Description	Q'ty Per Assembly
1	C200 3015	Seal - 1x7x346mm	1
2	C208 3130	Original Table - LT	1
2	C204 3136	Original Table - A4	1
3	C203 2733	Decal - Scale - LT	1
3	C204 2717	Decal - Original Level - A4	1
4	C203 2736	Decal - Original Table	1
5	C203 3016	Original Guide	2
6	C2033018	Original Guide Holder	2
7	C203 3019	Side Fence Gear	2
8	C202 3006	Original Table Flame	1
9	C203 3135	Right Cover - Scanner	1
10	C203 3030	Grip Bracket	1
11	C2073126	Mylar Seal	1
12	C203 3047	Stopper Stud	1
13	C203 3014	Guide Rail Roller	6
14	C203 3039	Left Fluorescent Lamp Cover	1
15	C203 3010	Cover Stud	2
16	55076624	Bushing - 8x16x45mm	2
17	C203 3085	Gear Cover	1
18	C203 3038	Safety Switch Actuator	1
19	C202 3005	Original Table Flame - Left	1
20	C203 3071	Stay - Original Exit Tray	1
21	C202 3111	Feed Roller - Left	1
22	C200 3032	Pulley - 20T	1
23	C203 3040	Right Fluorescent Lamp Cover	1
24	C213 3032	Lock Lever	1
25	C213 3033	Lock Lever - Transmission	1
26	C200 3006	Stopper	1
27	C2003106	Lock Spring	1
28	C204 3038	Spring Arm	1
29	54432713	Wave Washer	1
30	C201 3011	Gear - 16T	1
31	C203 3020	Receiving Plate	1

ndex No.	Part No.	Description	Q'ty Per Assembly
100	0353 0080D	Philips Truss Head Screw - M3x8	
101	0965 3005B	Tapping Screw W/T Flat Washer - M3x5	
102	0434 0080Z	Tapping Screw - M4x8	
103	0343 0060D	Philips Truss Head Screw - M3x6	
104	03140060Z	Philips Pan Head Screw - M4x6	
105	0701 0040Z	Flat Washer - M4	
106	0720 0060Z	Retaining Ring - M6	
107	0344 0080D	Philips Truss Head Screw - M4x8	
108	0951 3006Z	Philips Screw With Flat Washer - M3	
109	03140080Z	Philips Screw - 4x8	
110	0433 0080Z	Tapping Screw - M3x8	
111	0554 0040E	Allen Screw - M4x4	
112	0951 3005Z	Philips Pan Head Screw - M3 x 5	
113	03130050Z	Philips Screw - 3x5	
114	03130200Z	Philips Screw - 3x20	
115	0713 0050B	Hexagon Nut - M5	
116	0553 0060E	Allen Screw - M3x6	

24. SCANNER SECTION 4 (C216)

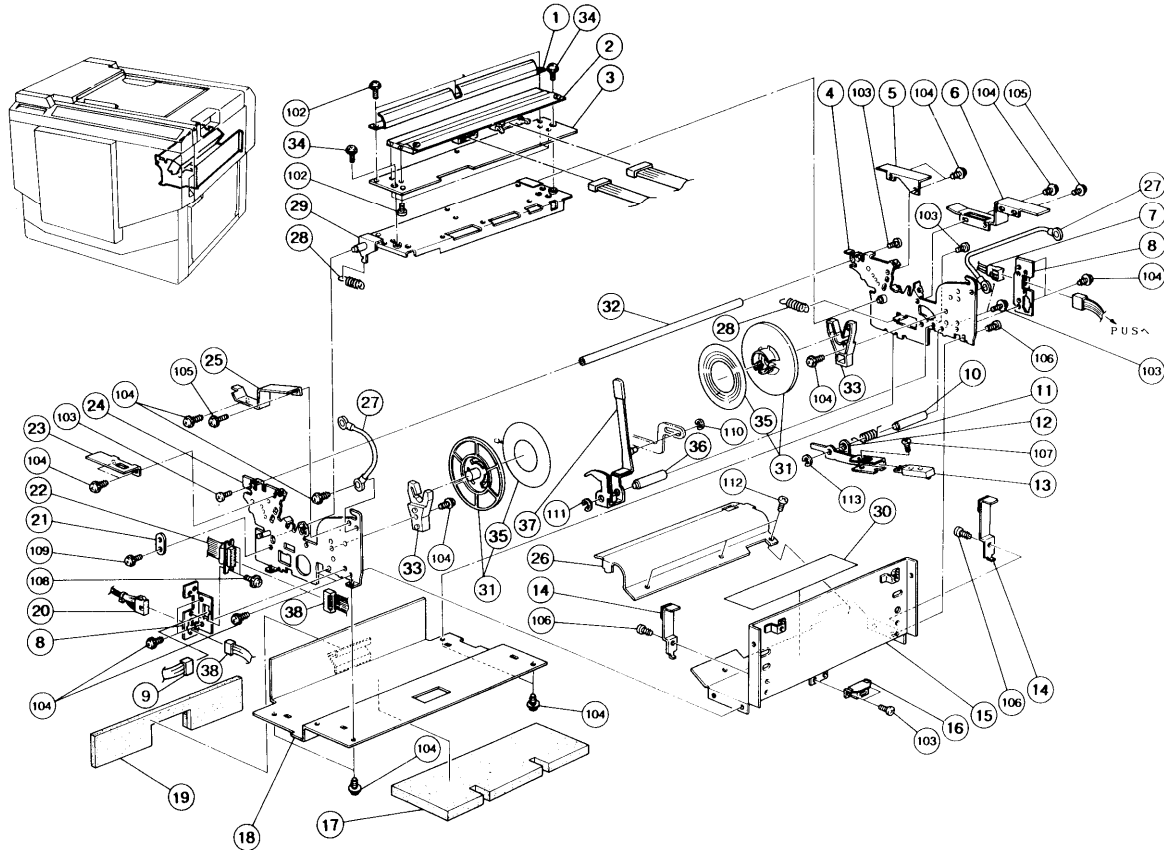


24. SCANNER SECTION 4 (C216)

Index No.	Part No.	Description	Q'ty Per Assembly
1	C200 3082	Scanner Unit Shaft	1
2	C200 3072	Leaf Spring	4
3	C203 3147	Radiation Fin	2
4	C200 3086	Scanner Unit Mirror	2
5	C201 3069	Exposure Glass	1
6	C200 3091	Lens - F4.5/38	1
7	C215 3040	Lens Block	1
8	C215 8023	CCD Board	1
9	54663147	Adjusting Knob	2
10	C203 8084	Scanner Harness	1
11	C215 3057	Shading Plate	1
12	C201 3077	Fixing Ring - 8x16x7mm	1
13	C201 3070	Scanner Frame Spring	1
14	C201 3075	Scanner Stay	1
15	C215 8102	Flat Cable - AID Conversion	1
16	C215 8012	A/D Conversion Board	1
17	C201 8006	Fluorescent Lamp Stabilizer	1
18	C200 8464	Fluorescent Lamp - 550V/15W	1
19	C200 3077	Bracket - Fluorescent Lamp Socket	2
20	C200 8504	Right Socket - Fluorescent Lamp	1
21	C215 8025	Harness - CCD Board	1
22	C200 8502	Left Socket - Fluorescent Lamp	1
23	C203 3058	Left Mirror Supporter	1
24	C203 3060	Left Mirror Holder	1
25	C203 3059	Right Mirror Supporter	1
26	C203 3061	Right Mirror Holder	1

Index No.	Part No.	Description	Q'ty Per Assembly
101	0553 0060E	Allen Screw - M3x6	
102	0951 4008W	Philips Screw with Flat Washer - M4x8	
103	0701 0040Z	Flat Washer - M4	
104	0951 3006Z	Philips Screw With Flat Washer - M3	
105	0313 0140Z	Philips Pan Head Screw - M3x14	
106	0720 0040Z	Retaining Ring - M4	
107	0951 3006Z	Philips Screw With Flat Washer - M3	
108	0554 0040E	Allen Screw - M4x4	
109	0707 8080B	Bushing - 8x8mm	
110	0313 0050Z	Philips Screw - 3x5	
111	0434 0080Z	Tapping Screw - M4x8	
112	0314 0050Z	Philips Pan Head Screw - M4x5	
113	0313 0060Z	Philips Pan Head Screw - M3x6	
114	0720 0060Z	Retaining Ring - M6	
115	0951 3006Z	Philips Screw With Flat Washer - M3	
116	11050160	Clamp	

25. PLOTTER/MASTER FEED SECTION 1 (C216)

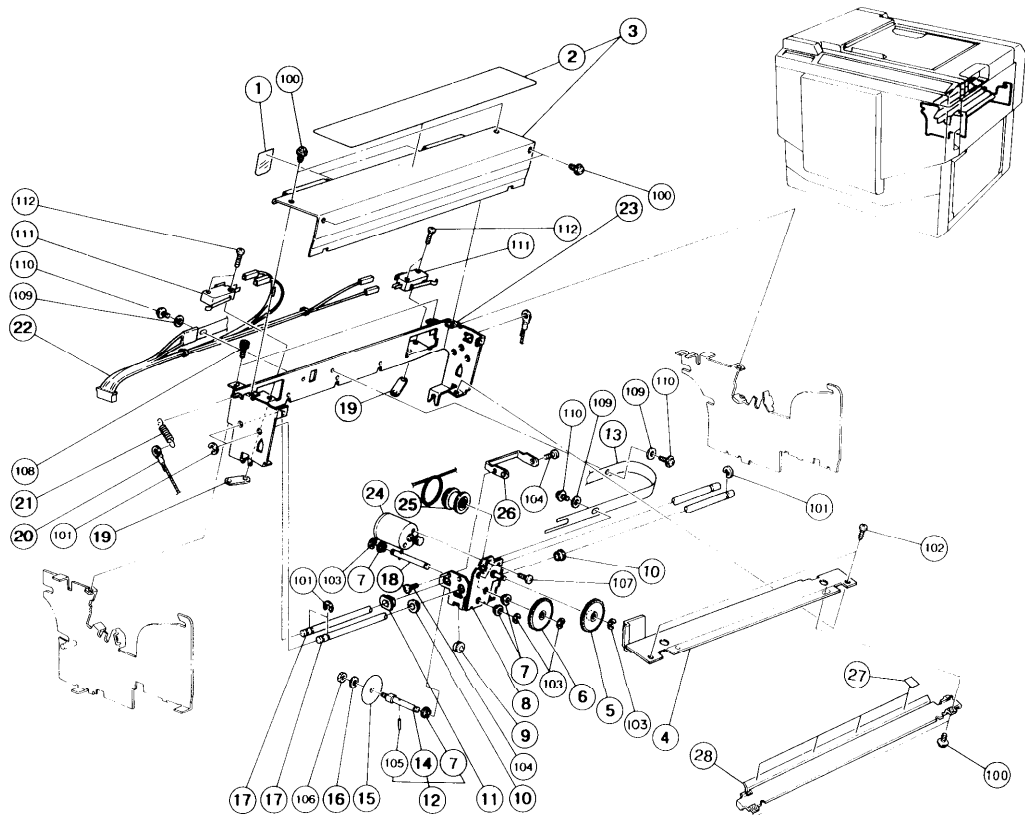


25. PLOTTER/MASTER FEED SECTION 1 (C216)

Index No.	Part No.	Description	Qty Per Assembly
1	C207 4030	Guide Plate - Thermal Head	1
2	C215 8212	Thermal Head - B4/300dpi	1
3	C213 4029	Thermal Head Spacer	1
4	C215 4005	Right Side Plate - Plotter	1
5	C200 4406	Front Right Cover - Plotter	1
6	C200 4407	Rear Right Cover - Plotter	1
7	C215 8075	Thermal Head Harness	1
8	C215 4071	Connector Bracket	2
9	C215 8130	Harness - Master Motor	1
10	C2004115	Sensor Shaft	1
11	C2004116	Sensor Spring	1
12	C2004114	Sensor Bracket	1
13	52035230	Master Sensor	1
14	C203 4013	Brake Plate	2
15	C203 4035	Receiving Stand - Master Roller	1
16	50540536	Magnet Catch Ass'y	1
17	C207 2521	Lower Pad	1
18	C203 4081	Plotter Lower Cover	1
19	C207 2522	Rear Pad	1
20	C203 8081	Plotter Unit Harness	1
21	C203 4031	Fixing Plate	1
22	C207 8079	Flat Cable - Plotter	1
23	C200 4405	Rear Left Cover - Plotter	1
24	C215 4001	Left Side Plate - Plotter	1
25	C200 4404	Cutter Connector Bracket	1
26	C207 4015	Thermal Head Cover	1
27	C207 8316	Grounding Wire	2
28	C2004138	Thermal Head Spring	2
29	C215 4023	Thermal Head Base	1
30	C203 2749	Decal - Thermal Head Cleaning	1
31	C213 4041	Master Flange	2
32	C200 4014	Plotter Stay	1
33	C213 4040	Master Holder	2
34	C203 4033	Shoulder Screw - M3	2
35	C207 4011	Master Flange Decal	2

Index No.	Part No.	Description	Qty Per Assembly
36	C200 4126	Lever Shaft	1
37	C203 4051	Platen Release Lever	1
38	C207 8080	Flat Cable - Thermal Head	1
101	0313 0060Z	Philips Pan Head Screw - M3x6	
102	0951 3006Z	Philips Screw With Flat Washer - M3	
103	0314 0080Z	Philips Screw - 4x8	
104	0964 4008Z	Tapping Screw W/Washer - M4x8	
105	0951 4005Z	Philips Screw With Flat Washer - M4x5	
106	0434 0080Z	Tapping Screw - M4x8	
107	03230100Z	Philips Sunken Head Screw - M3x10	
108	0951 3008Z	Philips Screw With Flat Washer - M3x8	
109	0434 0080Z	Tapping Screw - M4x8	
110	0720 0030Z	Retaining Ring - M3	
111	0720 0060Z	Retaining Ring - M6	
112	03140060Z	Philips Pan Head Screw - M4x6	
113	0720 0040Z	Retaining Ring - M4	

26. PLOTTER/MASTER FEED SECTION 2 (C216)



26. PLOTTER/MASTER FEED SECTION 2 (C216)

Index No.	Part No.	Description	Q'ty Per Assembly
1	C200 4248	Upper Mylar - Guide Plate	2
2	C203 2709	Decal - Master Setting	1
3	C203 4096	Cutter Unit Cover	1
4	C213 4088	Cutter Plate	1
5	C200 4371	Coupled Gear - 16T & 64T	1
6	C200 4372	Gear - 64T	1
7	C200 4376	Bushing - M4	4
8	C200 4351	Cutter Slider	1
9	C200 4373	Gear - 16T	1
10	C200 4354	Bushing - M6	2
11	C200 4355	Bushing - M8x6	1
12	C200 4392	Cutter Shaft	1
13	C200 8417	Cutter Harness	1
14	C200 4375	Cutter Shaft	1
15	C200 4377	Cutter	1
16	C201 4070	Cutter Spacer - 5.2x10x1 mm	1
17	C201 4056	Cutter Guide Shaft	2
18	C200 4391	Pulley Shaft	1
19	50560509	Nut Plate - Microswitch	2
20	C200 4318	Cutter Drive Wire	1
21	55016538	Spring - Middle Roller	1
22	C201 8091	Cutter Unit Harness	1
23	C201 4049	Cutter Plate	1
24	C200 8418	Motor - DC22W	1
25	C200 4379	Pulley - 36T	1
26	C200 4356	Slider Supporter	1
27	C203 4040	Master Guide	1
28	C213 4030	Lower Guide Plate	1
29	C2008415	Motor/Cable Ass'y (I just correction)	

Index No.	Part No.	Description	Q'ty Per Assembly
100	0964 3008Z	Tapping Screw W/Flat Washer - M3x8	
101	0720 0040Z	Retaining Ring - M4	
102	0433 0080Z	Tapping Screw - M3x8	
103	0720 0030Z	Retaining Ring - M3	
104	0313 0040Z	Philips Pan Head Screw - M3x4	
105	0621 6080E	Spring Pin - 1.6x8	
106	0710 0040Z	Hex Nut 4	
107	0313 0050Z	Philips Screw - 3x5	
108	0314 0060Z	Philips Pan Head Screw - M4x6	
109	08072019	Washer - 3.2x10x0.8mm	
110	0951 3005Z	Philips Pan Head Screw - M3 x 5	
111	12040825	Micro Switch - AH71543	
112	0313 0140Z	Philips Pan Head Screw - M3x14	

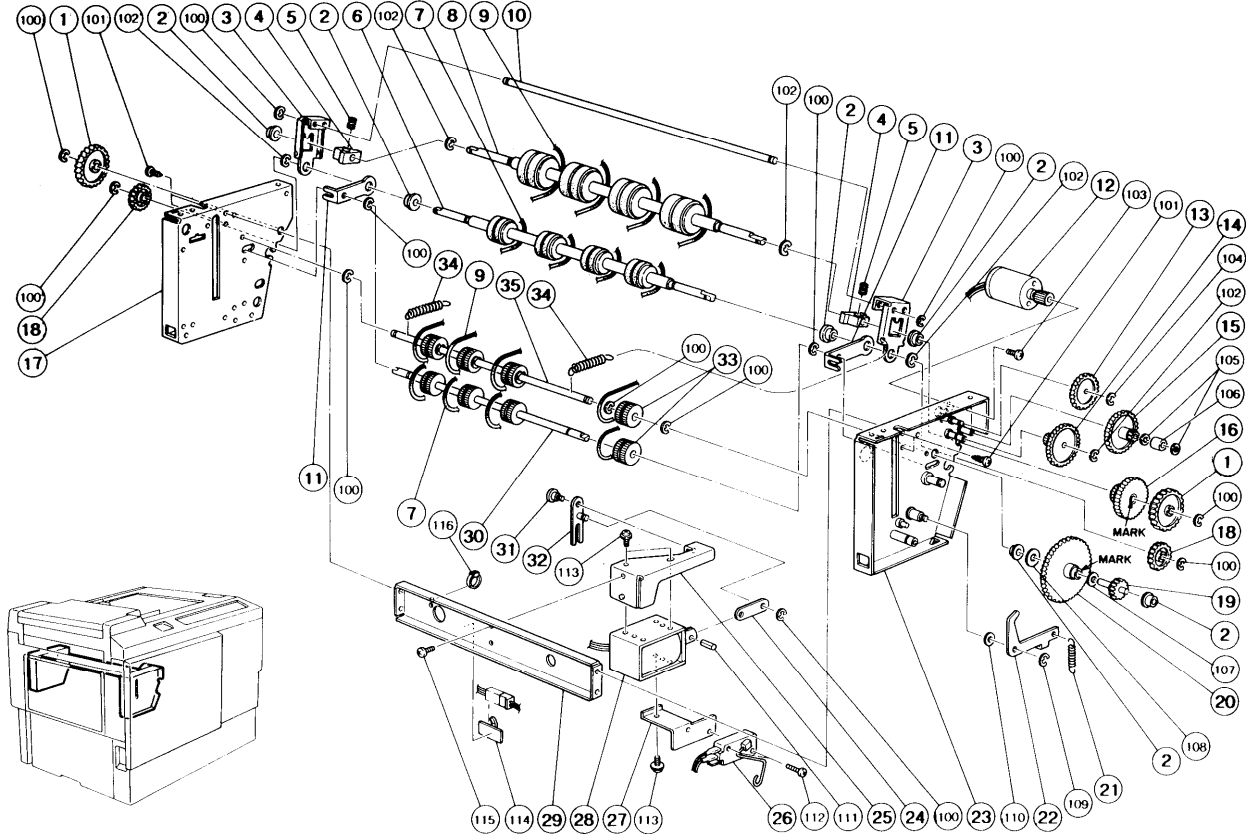
27. PLOTTER/MASTER FEED SECTION 3(C216)

Index No.	Part No.	Description	Q'ty Per Assembly
1	C203 8137	Master Sensor	1
2	C203 4092	Sensor Bracket	1
3	C201 4041	Master Guide Shaft	1
4	C209 4305	Gear - 16Z	1
5	C209 4303	Gear - 27Z	1
6	55064628	Spring - Delivery Roller	1
7	C209 4307	Reverse Guide Plate	3
8	C200 8440	Reverse Roller Solenoid	1
9	C200 4223	Reverse Solenoid Bracket	1
10	C200 4216	Reverse Roller Clutch Barrel	1
11	C200 4217	Reverse Roller Clutch Sleeve	1
12	C200 4215	Reverse Roller Clutch Spring	1
13.	C200 4213	Pulley - 28T	1
14	C200 4218	Timing Belt - MM -75-4.8- G	1
15	54032075	Stepped Screw	2
16	C203 4060	Tension Release Slider	2
17	C2074150	Fixing Screw	2
18	C213 4052	Platen Roller	1
19	C2004143	Gear - 40T	1
20	C203 4038	Master Guide - Large	4
21	C215 8121	Master Motor - DC 24V/38.4W	1
22	C2004162	Pulley - 18T	1
23	C215 4001	Left Side Plate - Plotter	1
24	C203 4047	Motor Spacer	1
25	C2004169	Timing Belt - MM190X6.4	1
26	C2004171	Spacer - 6x8x14mm	1
27	C203 4044	Timing Belt - 87XL	1
28	C2004163	Pulley - 16T	1
29	C203 4072	Harness Bracket	1
30	C2004164	Pulley - 34T	1
31	C2004170	Spacer - 9.4x23.4x2.9	1
32	C203 3044	Tension Roller	1
33	50560188	Bushing - 6mm - Long	4
34	C2004165	Gear - 22T	1
35	C213 4232	Reverse Guide	1

Index No.	Part No.	Description	Q'ty Per Assembly
36	C201 4038	Bracket - Guide Pawl	2
37	C215 4043	Lower Guide Plate	1
38	C213 4300	Counter Roller Shaft	1
39	C200 4244	Master Guide	1
40	C203 4054	Tension Release Arm	1
41	C203 4059	Tension Release Shaft	1
42	C213 4046	Upper Reverse Roller	1
43	C213 4045	Lower Reverse Roller	1
44	C2004196	Tension Release Arm - Small	1
45	C2004184	Tension Spring	2
46	C2014024	Pulley Plate	1
47	C2004182	Lower Master Feed Roller	1
48	C207 4181	Upper Master Feed Roller	1
49	C201 4026	Positioning Plate	1
50	C215 4005	Right Side Plate - Plotter	1
5 1	C201 4068	Reverse Roller Clutch Pawl	1
5 2	56073616	Guide Plate Spring	1
53	C200 4183	Pulley - 28T	1
54	C213 4306	Stay - Reverse Guide	1
55	C209 4321	Antistatic Brush	1
56	C2002338		1
57	5324/658		1
58	H002226		1
59	H0121181		2



28. MASTER EJECT SECTION 1 (C216)

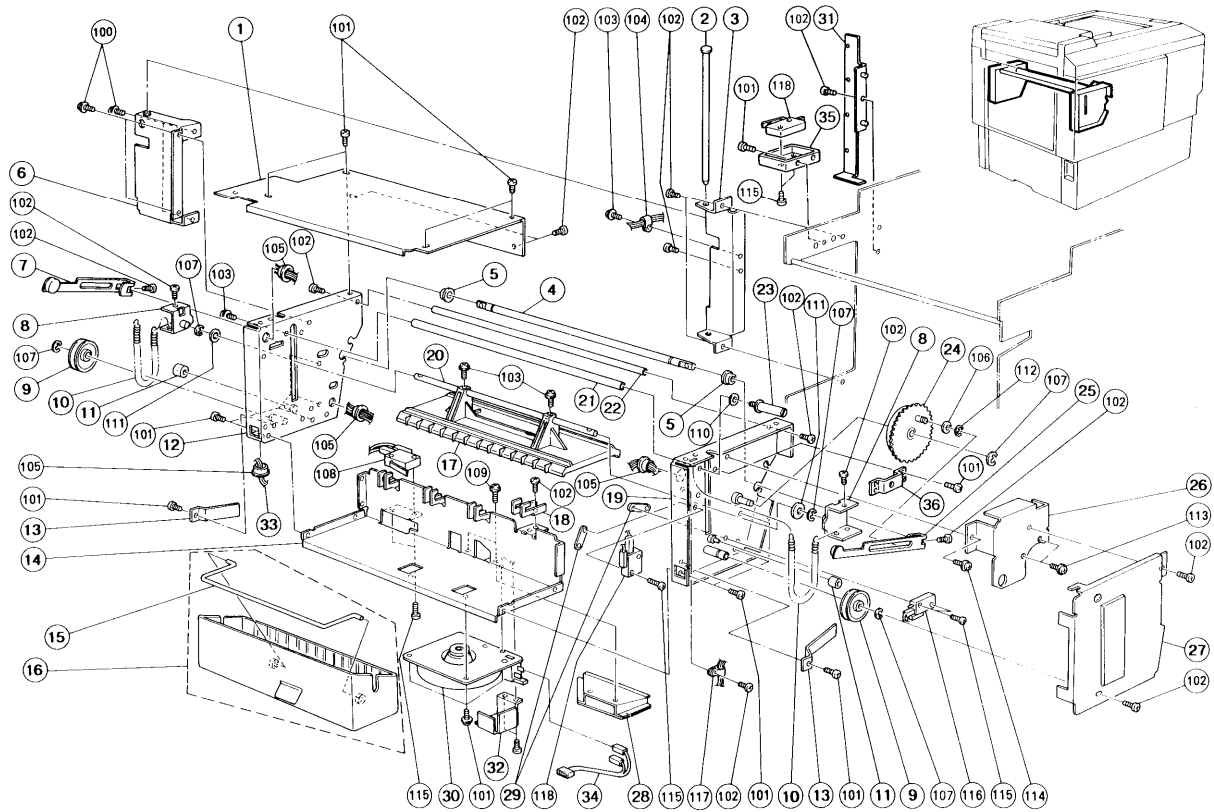


28. MASTER EJECT SECTION 1 (C216)

ndex No.	Part No.	Description	Q'ty Per Assembly
1	C200 3627	Gear - 30T	2
2	55064608	Bushing - Paper Hold/Down Roller -	6
3	C200 3535	Supporter	2
4	C200 3536	Separation Arm Bushing	2
5	C201 3527	Pressure Spring	2
6	C200 3542	1st Lower Eject Roller	1
7	C219 3546	Lower Belt	4
8	C200 3539	1st Upper Eject Roller	1
9	C219 3545	Upper Belt	4
10	C200 3537	Arm Connect Shaft	1
11	C200 3529	Pulley Plate	2
12	C201 8061	Motor - DC25.8W	1
13	C200 3604	Coupled Gear - 16T & 50T	1
14	C200 3609	Coupled Gear - 58T & 20T	1
15	C200 3606	Coupled Gear - 62T & 20T	1
16	C200 3607	Coupled Gear - 62T & 32T	1
17	C201 3520	Rear Side Plate - Master Eject	1
18	C200 3628	Gear - 20T	2
19	C200 3614	Gear - 16T	1
20	C200 3610	Gear - 116T	1
21	C200 3638	Lever Spring	1
22	C200 3636	Pressure Plate Lever	1
23	C203 3519	Front Side Plate - Master Eject	1
24	C200 3557	Solenoid Plate	1
25	C200 3553	Solenoid Bracket	1
26	C201 3534	Detecting Switch - Master Eject	1
27	C200 3559	Detecting Switch Bracket	1
28	C200 8437	Master Eject Solenoid	1
29	C207 3523	Master Eject Stay	1
30	C201 3529	Lower Pulley Shaft	1
31	5403 2075	Stepped Screw	1
32	C200 3554	Solenoid Arm	1
33	C200 3547	Pulley	8
34	C203 3501	Tension Spring	2
35	C201 3530	Upper Pulley Shaft	1

ndex No.	Part No.	Description	Q'ty Per Assembly
100	0720 0040Z	Retaining Ring - M4	
101	0434 0060Z	Tapping Screw - M4x6	
102	0720 0050Z	Retaining Ring - M5	
103	0313 0030Z	Phillips Pan Head Screw - M3x3	
104	0720 0030Z	Retaining Ring - M3	
105	08074076	Washer - 8.2x6.1x0.3mm	
106	0707 6045B	Bushing - M6x45	
107	08074053	Spacer - 6.2x9.5x0.1	
108	08074103	Spacer - 0.5mm	
109	0720 0060Z	Retaining Ring - M6	
110	08075013	Flat Washer - M8.4	
111	0623 0120E	Spring Pin - 3x12mm	
112	03130140Z	Phillips Pan Head Screw -M3x14	
113	0951 3006Z	Phillips Screw With Flat Washer - M3	
114	11050020	Adhesive Wire Clamp	
115	03140050Z	Phillips Pan Head Screw - M4x5	
116	11050042	Wire Band	

29. MASTER EJECT SECTION 2 (C216)

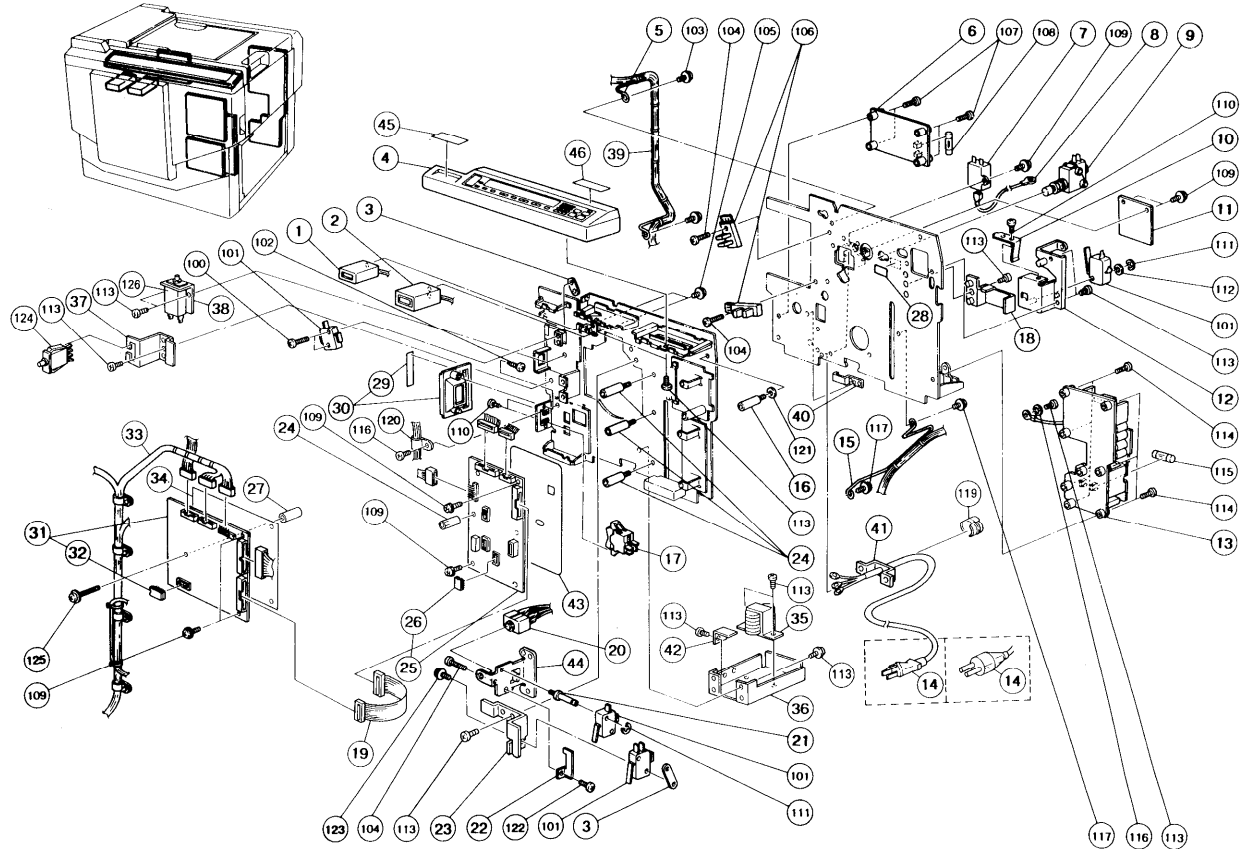


29. MASTER EJECT SECTION 2 (C216)

ndex No.	Part No.	Description	Q'ty Per Assembly
1	C203 3526	Upper Inner Cover	1
2	C203 3504	Hinge Shaft	1
3	C203 3503	Master Eject Hinge	1
4	C201 3542	Pressure Arm Shaft	1
5	55016185	Bushing - Shaft - Water Adjusting	2
6	C213 3517	Master Eject Hinge	1
7	C201 3549	Rear Link	1
8	C201 3545	Pressure Arm	2
9	C200 3712	Pulley	2
10	55076766	Wire Spring	2
11	55014719	Rubber Ring - Stopper	2
12	C201 3520	Rear Side Plate - Master Eject	1
13	C200 3753	Guide	2
14	C203 3527	Bottom Plate - Master Eject	1
15	C203 3511	Arm - Master Eject Box	1
16	C203 3505	Master Eject Box	1
17	C200 3708	Pressure Plate	1
18	C2013531	Pulley Guide	4
19	C203 3519	Front Side Plate - Master Eject	1
20	C201 3544	Pressure Plate Shaft	1
21	C203 3516	Master Eject Stay - Large	1
22	C200 3508	Master Eject Stay - Small	1
23	C203 3517	Lock Stud	1
24	C200 3618	Gear - 60T	1
25	C201 3548	Front Link	1
26	C200 3631	Bracket	1
27	C200 3519	Front Inner Cover	1
28	C201 6015	Air Knife Nozzle	1
29	50560509	Nut Plate - Microswitch	2
30	C200 8408	Motor - AC15W	1
31	C203 2130	Master Eject Cover	1
32	C2033531	Capacitor Connector Cover	1
33	C2118482	Master Eject Harness	1
34	C213 8483	Harness Air Knife	1
35	C2032125	Safety Switch Bracket	1

ndex No.	Part No.	Description	Q'ty Per Assembly
36	C203 3518	Lock Stay Bracket	1
100	09644010Z	Tapping Screw W/Washer - M4x10	
101	0434 0060Z	Tapping Screw - M4x6	
102	03140080Z	Philips Screw - 4x8	
103	0951 4008Z	Philips Screw With Flat Washer - M4x8	
104	11050009	Nylon Clip - 5N	
105	11060411	Bushing -11 .5mm	
106	0700 0060Z	Flat Washer - M6	
107	0720 0060Z	Retaining Ring - M6	
108	12041490	Micro Switch - V-53-1A3	
109	0964 3008Z	Tapping Screw W/Flat Washer - M3x8	
110	0701 0080Z	Flat Washer - M8	
111	0700 0080Z	Flat Washer - M8	
112	0720 0050Z	Retaining Ring - M5	
113	0951 3004Z	Philips Screw With Flat Washer - M3x4	
114	0964 4008Z	Tapping Screw W/Washer - M4x8	
115	0313 0140Z	Philips Pan Head Screw - M3x14	
116	12040886	Micro Switch	
117	11050008	Nylon Clip - 2N	
118	12041438	Microswitch	

30. ELECTRICAL SECTION (C216)



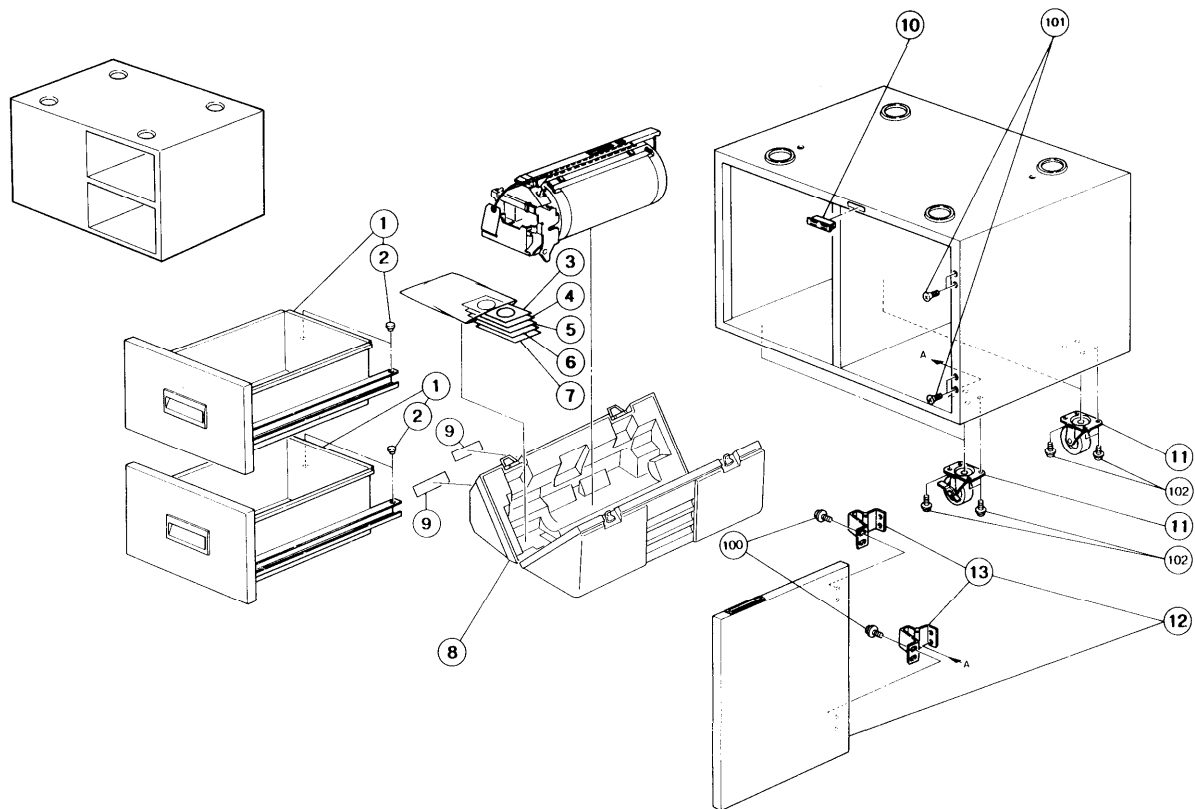
30. ELECTRICAL SECTION (C216)

Index No.	Part No.	Description	Q'ty Per Assembly
1	C200 8443	Master Counter	1
2	C200 8446	Copy Counter	1
3	50560509	Nut Plate - Microswitch	2
4	C216 2720	Operation Panel -115V	1
4	C216 2725	Operation Panel - 230V	1
5	C203 8095	Upper Harness Supporter	1
6	C201 8055	AC Drive Board - 220V	1
6	C2018057	AC Drive Board - 120V	1
7	C203 8136	Noise Filter - 220V	1
7	C203 8135	Noise Filter - 120V	1
8	C202 8095	Grounding Harness	1
9	C203 8115	Micro Switch	1
10	C2003123	Support Plate - Safety Switch	1
11	C215 8116	Ink Detecting Board	1
12	C2032112	Safety Switch Bracket	1
13	C216 8322	Power Supply Board - 230V	1
13	C215 8302	Power Supply Board - 115V	1
14	C201 8163	Power Supply Cord - 220/240V	1
14	C203 8124	Power Supply Cord - 120V	1
15	C203 8096	Lower Harness Supporter	1
16	C203 2030	Board Stud	1
17	C209 8276	Main Switch	1
18	C2032114	Bracket	1
19	C215 8088	Flat Cable - Main Board	1
20	C201 8453	Push Switch	1
21	C200 3756	Safety Switch Shaft	1
22	C200 3755	Plate Spring	1
23	C2014541	Bracket - Drum Detecting Switch	1
24	C200 2596	Main Board Stud - Long	3
25	C215 8002	Image Processing Board	1
26	C215 8004	IC - Processing	1
27	C203 2031	Main Board Spacer	1
28	C201 2468	Decal - Master Cutter	1
29	C209 2502	Decal - Main Switch	1
30	C213 2430	Main Switch Cover	1

Index No.	Part No.	Description	Q'ty Per Assembly
31	C216 8122	Main Control Board - 230V	1
31	C216 8112	Main Control Board - 115V	1
32	C215 8045	IC - Main Board	1
33	C216 8168	Main Harness	1
34	C2072148	Insulating Sheet - Main Board	1
35	C203 8181	Transformer	1
35	C216 8155	<u>Transformer - 235/105V</u>	1
36	C216 2018	<u>Transformer Bracket</u>	1
37	C203 2057	Switch Bracket	1
38	C216 2059	<u>Circuit Breaker Bracket</u>	1
39	C216 8176	AC Drive Harness - 220V	1
39	C216 8166	AC Drive Harness - 120V	1
40	C203 2128	AC Drive Board Cover	1
41	C203 2119	Bracket - Power Supply Cord	1
42	C203 2131	Transformer Cover	1
43	C203 5053	Insulating Sheet	1
44	C201 2551	Switch Harness	1
45	**** ****	OEM Parts	1
46	**** ****	OEM Parts	1



31. TABLE/DRUM BOX (C216)



31. TABLE/DRUM BOX (C216)

nd ex No.	Part No.	Description	Q'ty Per Assembly
1	C200 9101	Drawer	2
2	C2009102	Table Stud	2
3	C5262150	Drum Decal - Black	1
4	C526 2151	Drum Decal - Red	1
5	C5262152	Drum Decal - Blue	1
6	C5262153	Drum Decal - Green	1
7	C5262154	Drum Decal - Brown	1
8	C5262100	Option Drum Case	1
9	C5262110	Decal - Drum Case	1
10	C2009105	Magnet Catch	1
11	C2009107	Caster	4
12	C2009103	Table Door	1
13	C2009104	Hinge	2

nd ex No.	Part No.	Description	Q'ty Per Assembly
100	0584 0100Z	Hexagon Bolt - M4x10	
101	032401 00Z	Sunk Screw - 4x10	
102	0588 0120Z	Hexagon Bolt - M8x12	

32. MAIN CONTROL BOARD (C216)

CAPACITOR

SYMBOL NO.	INDEX NO.	SYMBOL NO.	INDEX NO.	SYMBOL NO.	INDEX NO.	SYMBOL NO.	INDEX NO.	SYMBOL NO.	INDEX NO.	SYMBOL NO.	INDEX NO.
C101	163	C111	155	C121	158	C132	158	C142	158	C152	158
C102	154	C112	161	C122	158	C133	158	C143	158	C153	158
C103	160	C113	162	C123	158	C134	156	C144	158	C154	157
C104	159	C114	162	C124	157	C135	156	C145	158	C155	158
C105	156	C115	161	C125	158	C136	158	C146	157	C156	158
C106	154	C116	155	C126	158	C137	158	C147	158	C157	158
C107	156	C117	158	C127	158	C138	158	C148	158	C158	158
C108	161	C118	158	C128	158	C139	158	C149	158		
C109	155	C119	158	C129	158	C140	157	C150	158		
C110	155	C120	158	C130	157	C141	158	C151	158		

COIL

SYMBOL NO.	INDEX NO.
L101	164

CONNECTOR

SYMBOL NO.	INDEX NO.
CN101	102
CN102	104
CN103	105
CN104	103
CN105	104

DAY

SYMBOL NO.	INDEX NO.
DAY101	121
DAY102	121
DAY103	121
DAY104	121
DAY105	121
DAY106	121
DAY107	121
DAY108	121

DIODE

SYMBOL NO.	INDEX NO.
D102	120
D103	120
D104	117
D105	117
D106	117
D107	117
D108	117
D109	117
D110	117

PS

SYMBOL NO.	INDEX NO.
DPS101	111
DPS102	110
DPS103	111

USE

SYMBOL NO.	INDEX NO.
FU101	108
(FU101)	107
FU 102	109
(FU102)	107

IC

SYMBOL NO.	INDEX NO.
IC101	138
IC102	114
IC103	114
IC104	139
IC105	144
IC106	144
IC107	119
IC108	127
IC109	126
IC110	142

SYMBOL NO.	INDEX NO.
IC111	132
(IC112)	106
IC113	137
IC114	124
IC115	118
IC116	118
IC117	127
IC118	129
IC119	115
IC120	134

32. MAIN CONTROL BOARD (C216)

		LED				OSC		ERAY		RESISTOR	
SYMBOL NO.	INDEX NO.	SYMBOL NO.	INDEX NO.	SYMBOL NO.	INDEX NO.	SYMBOL NO.	INDEX NO.	SYMBOL NO.	NDEX NO.	SYMBOL NO.	INDEX NO.
IC121	134	IC131	133	LED101	123	OSC101	147	RAY101	151	RAY111	149
IC122	134	IC132	130	LED102	123			RAY102	151	R101	148
IC123	131	IC133	128	LED103	123			RAY103	150	R102	148
IC124	143	IC134	127	LED 104	123			RAY104	150	R103	148
IC125	135	IC135	125					RAY105	150	R104	148
IC126	141							RAY106	150	R105	148
IC127	146							RAY107	149	R106	148
IC128	140							RAY108	149	R107	148
IC129	136							RAY109	149	R108	148
IC130	145							RAY110	149	R109	178
										R110	197

PC	
SYMBOL NO.	INDEX NO.
PC101	122

SYMBOL NO.	INDEX NO.	SYMBOL NO.	INDEX NO.	SYMBOL NO.	INDEX NO.	SYMBOL NO.	INDEX NO.	SYMBOL NO.	INDEX NO.	SYMBOL NO.	INDEX NO.	SYMBOL NO.	INDEX NO.
R111	195	R121	166	R131	196	R142	193	R152	194	R162	192	R172	174
R112	167	R122	166	R132	169	R143	193	R153	187	R163	169	R173	179
R113	168	R123	165	R133	192	R144	185	R154	198	R164	184	R174	179
R114	172	R124	169	R134	185	R145	185	R155	200	R165	193	R175	179
R115	170	R125	194	R135	175	R146	198	R156	185	R166	176	R176	177
R116	193	R126	179	R136	202	R147	190	R157	198	R167	193	R177	195
R117	193	R127	179	R137	192	R148	181	R158	185	R168	193	R178	179
R118	169	R128	171	R139	176	R149	181	R159	185	R169	185	R179	173
R119	201	R129	194	R140	182	R150	190	R160	175	R170	193	R180	199
R120	170	R130	168	R141	193	R151	187	R161	202	R171	169	R181	186

32. MAIN CONTROL BOARD (C216)

SYMBOL NO.	INDEX NO.	SYMBOL NO.	INDEX NO.	SYMBOL NO.	INDEX NO.
R182	189	R192	172	R202	193
R183	182	R193	194	R203	193
R184	192	R194	171	R204	193
R185	169	R195	188	R205	193
R186	193	R196	188	R206	193
R187	180	R197	188	R207	193
R188	172	R198	188	R208	193
R189	183	R199	203	R209	193
R190	172	R200	190	R210	177
R191	172	R201	193	R211	191

SYMBOL NO.	INDEX NO.
R212	170
R213	170
R214	170
R215	170
	170
R216	
R217	170
R218	170
R219	170

TEST POINT

SYMBOL NO.	INDEX NO.
TP101	101
TP102	101
TP103	101

TRANSISTOR

SYMBOL NO.	INDEX NO.
Q101	112
Q102	113
Q103	116
Q104	113
Q105	113
Q106	113

VR

SYMBOL NO.	INDEX NO.
VR101	152
- VR102	153
VR103	153

32. MAIN CONTROL BOARD (C216)

Index No.	Part No.	Description	Q'ty Per Assembly
*	C216 8122	Main Control Board - 230V	1
*	C216 8112	Main Control Board - 115V	1
1	C2158045	IC - M27C256B-15F1	1

Index No.	Part No.	Description	Q'ty Per Assembly
101	11010328	Connector Pin Contact	
102	11022852	Connector - 34P	
103	11022853	Connector - 40P	
104	11024970	Connector - 50P	
105	11030740	Connector - 6P	
106	11040413	Connector - 28P	
107	11040564	Fuse Socket	
108	11070712	Fuse - K1937415A	
109	11070713	Fuse - K1937412A	
110	12041324	DIP Switch	
111	12041327	DIP Switch	
112	14000100	Transistor - 2SA683	
113	14000368	Transistor - 2SC3325	
114	14010398	IC - STA402A	
115	14010400	Transistor Array - SLA4060	
116	14010401	Transistor - 2SD1 194	
117	14010835	Diode - 1S5190	
118	14010876	IC - PA2003GR	
119	14010877	IC - TD62083F	
120	14020110	Diode - V06C	
121	14020209	Diode Array - DAN -401	
122	14030238	IC - TLP521	
123	14030404	Light Emitting Diode - SEL2110R	
124	14071151	IC - D-8085AC-2	
125	14071596	IC - SN74LS14NS	
126	14071882	IC - SN74LS373NS	
127	14072057	IC - 82C55AFP-5	
128	14072058	IC - 82C54FP-6	
129	14072077	IC - SN74LS138NS	
130	14072081	IC - SN74LS08NS	
131	14072187	IC - SN74LS07NS	
132	14072218	IC - SN74LS06NS	
133	14072253	IC - SN74LS393NS	
134	14072273	IC - TA8050P	
135	14072348	IC - TC4051BF	

Index No.	Part No.	Description	Q'ty Per Assembly
136	14072404	IC - M5M81C55FP	
137	14072852	IC - LH5116N	
138	14073627	IC - SN74LS145NS	
139	14073701	IC - TMP82C79M-2	
140	14080454	IC - μ PC358G	
141	14080471	IC - TCA955	
142	14080494	IC - MB3371P	
143	14080595	IC - NJM2904M	
144	14080606	IC - PC339G	
145	14080790	IC - μ PC324G	
146	14080977	IC - MB4052PF	
147	15030333	Ceramic Oscillator - 6.0MG	
148	16001095	Resistor - 120 Ω 1 /8W \pm 5%	
149	16017374	Resistor Array - 4.7K Ω	
150	16017376	Resistor Array - 10k Ω \pm 5% 1 /8W	
151	16017377	Resistor Array - 15k Ω \pm 5% 1/8W	
152	16018145	Variable Resistor - 5k Ω 0.5W	
153	16018157	Variable Resistor - 100K Ω	
154	16041382	Capacitor - 10 μ F 50V	
155	16041386	Capacitor - 100 μ F \pm 20% 50V	
156	16050226	Capacitor - 1000pF 50V	
157	16050234	Capacitor - 220pF 50V	
158	16061139	Capacitor - 0.01 μ F \pm 20%	
159	16061638	Capacitor - 0.22 μ F 50V	
160	16061832	Capacitor - 0.01 5 μ F 25V \pm 5%	
161	16061833	Capacitor - 0.022 μ F 25V \pm 5%	
162	16061834	Capacitor - 0.033 μ F 25V \pm 5%	
163	16061835	Capacitor - 0.1 μ F 25V \pm 5%	
164	16070001	Coil - SN-8S-500	
165	16116222	Resistor - 2.2K Ω 1/2T \pm 5%	
166	16116331	Resistor - 330 Ω 112T	
167	16116361	Resistor - 360 Ω 1 /8T \pm 5%	
168	16302102	Resistor - 1 K Ω 1/8W \pm 5%	
169	16302103	Resistor - 10K Ω 1/8W	
170	16302104	Resistor - 100K Ω 1/8W \pm 5%	

Index No.	Part No.	Description	Q'ty Per Assembly
171	16302113	Resistor - 11 K Ω 1 /8W \pm 5%	
172	16302122	Resistor - 1.2K Ω 1 /8W \pm 5%	
173	16302123	Resistor - 12K Ω 1 /8W \pm 5%	
174	16302133	Resistor - 13K Ω 1 /8W \pm 5%	
175	16302151	Resistor - 1.5K Ω 1 /8W \pm 5%	
176	16302152	Resistor - 1.5K Ω 1 /8W \pm 5%	
177	16302203	Resistor - 20K Ω	
178	16302221	Resistor - 220 Ω	
179	16302223	Resistor - 22K Ω 1/8W \pm 5%	
180	16302242	Resistor - 2.4K Ω 1/8W	
181	16302243	Resistor - 24K Ω 1 /8W \pm 5%	
182	16302244	Resistor - 240K Ω 1 /8W \pm 5%	
183	16302302	Resistor - 3K Ω 1/8W \pm 5%	
184	16302330	Resistor - 33 Ω 1 /8W \pm 5%	
185	16302332	Resistor - 3.3K Ω 1/8W \pm 5%	
186	16302333	Resistor - 33K Ω 1 /8W \pm 5%	
187	16302334	Resistor - 330K Ω	
188	16302361	Resistor - 360 Ω	
189	16302362	Resistor - 3.6K Ω 1 /8W \pm 5%	
190	16302392	Resistor - 3.9K Ω	
191	16302393	Resistor - 39K Ω 1 /8W \pm 5%	
192	16302432	Resistor - 4.3K Ω 1/8W \pm 5%	
193	16302472	Resistor - 4.7K Ω 1 /8W \pm 5%	
194	16302473	Resistor - 47K Ω 1 /8W \pm 5%	
195	16302513	Resistor - 51 K Ω 1/8W \pm 5%	
196	16302514	Resistor - 510K Ω 1/8W \pm 5%	
197	16302562	Resistor - 5.6K Ω	
198	16302683	Resistor - 68K Ω 1/8W \pm 5%	
199	16302752	Resistor - 7.5K Ω 1 /8W \pm 5%	
200	16302822	Resistor - 8.2K Ω	
201	16302823	Resistor - 82K Ω 1/8W \pm 5%	
202	16302824	Resistor - 820K Ω 1 /8W \pm 5%	
203	16302912	Resistor - 9.1K Ω	

33. IMAGE PROCESSING BOARD (C216)

CAPACITOR

SYMBOL NO.	INDEX NO.	SYMBOL NO.	INDEX NO.	SYMBOL NO.	INDEX NO.	SYMBOL NO.	INDEX NO.	SYMBOL NO.	INDEX NO.	SYMBOL NO.	INDEX NO.	SYMBOL NO.	INDEX NO.
C400	134	C410	140	C420	137	C430	138	C440	137	C450	137	C460	137
C401	135	C411	137	C421	137	C431	137	C441	137	C451	137	C461	137
C402	133	C412	137	C422	137	C432	137	C442	137	C452	137	C462	137
C403	134	C413	137	C423	137	C433	137	C443	138	C453	137	C463	137
C404	140	C414	137	C424	137	C434	138	C444	137	C454	137	C464	137
C405	137	C415	140	C425	137	C435	138	C445	137	C455	137	C465	137
C406	137	C416	137	C426	137	C436	136	C446	137	C456	137	C466	137
C407	137	C417	137	C427	137	C437	136	C447	137	C457	137	C467	137
C408	137	C418	137	C428	138	C438	137	C448	137	C458	137	C468	137
C409	137	C419	137	C429	138	C439	137	C449	137	C459	137	C469	137

SYMBOL NO.	INDEX NO.	SYMBOL NO.	INDEX NO.
C470	137	C480	137
C471	137	C481	137
C472	137	C482	137
C473	137	C483	137
C474	137	C484	137
C475	137	C485	137
C476	137	C486	137
C477	137	C487	137
C478	137	C488	137
C479	137	C489	137

COIL

SYMBOL NO.	INDEX NO.
L400	139

CONNECTOR

SYMBOL NO.	INDEX NO.
CN401	104
CN402	101
CN403	101
CN404	102
CN405	103

DPS

SYMBOL NO.	INDEX NO.
DPS400	106

SYMBOL NO.	INDEX NO.
IC400	129
IC401	124
IC402	117
IC403	112
IC404	110
IC405	108
IC406	112
IC407	112
IC408	125
IC409	125

33. IMAGE PROCESSING BOARD (C216)

SYMBOL NO.	INDEX NO.	SYMBOL NO.	INDEX NO.	SYMBOL NO.	INDEX NO.	SYMBOL NO.	INDEX NO.	SYMBOL NO.	INDEX NO.	SYMBOL NO.	INDEX NO.	SYMBOL NO.	INDEX NO.
IC410	115	IC420	112	IC430	125	IC440	124	IC450	111	IC460	121	IC470	107
IC411	128	IC421	114	IC431	125	IC441	121	IC451	123	IC461	108	IC471	114
IC412	128	IC422	118	IC432	125	IC442	116	IC452	115	IC462	128	IC472	1
IC413	112	IC423	116	IC433	120	IC443	116	IC453	118	IC463	121	(IC472)	105
IC414	125	IC424	109	IC434	120	IC444	116	IC454	110	IC464	121	IC473	118
IC415	114	IC425	109	IC435	121	IC445	116	IC455	114	IC465	125	IC474	115
IC416	116	IC426	109	IC436	125	IC446	127	IC456	114	IC466	125	IC475	122
IC417	110	IC427	114	IC437	125	IC447	113	IC457	130	IC467	107	IC476	121
IC418	116	IC428	121	IC438	125	IC448	121	IC458	121	IC468	107	IC477	122
IC419	114	IC429	126	IC439	109	IC449	119	IC459	121	IC469	107	IC478	109

OSC

RESISTOR

SYMBOL NO.	INDEX NO.	SYMBOL NO.	INDEX NO.	SYMBOL NO.	INDEX NO.	SYMBOL NO.	INDEX NO.	SYMBOL NO.	INDEX NO.	SYMBOL NO.	INDEX NO.	SYMBOL NO.	INDEX NO.
OSC400	131	R400	132	R411	146	R421	146	R431	146	R441	146	R451	146
		R401	132	R412	148	R422	146	R432	146	R442	146	R452	146
		R403	146	R413	144	R423	146	R433	146	R443	146	R453	146
		R404	141	R414	144	R424	146	R434	146	R444	146	R454	146
		R405	146	R415	149	R425	146	R435	146	R445	146	R455	146
		R406	146	R416	146	R426	146	R436	146	R446	146	R456	146
		R407	143	R417	146	R427	146	R437	146	R447	146	R458	146
		R408	146	R418	147	R428	146	R438	146	R448	146	R459	146
		R409	147	R419	146	R429	146	R439	146	R449	146	R460	146
		R410	146	R420	146	R430	146	R440	146	R450	146	R461	146

33. IMAGE PROCESSING BOARD (C216)

SYMBOL NO.	INDEX NO.
R462	142
R463	142
R464	142
R465	142
R466	142
R467	142
R468	142
R469	142
R470	145
R471	145

SYMBOL NO.	INDEX NO.
R472	145

33. IMAGE PROCESSING BOARD (C216)

ndex No.	Part No.	Description	Q'ty Per Assembly
*	C215 8002	Image Processing Board	1
1	C215 8004	IC - HN27256P-25	1
101	11024970	Connector - 50P	
102	11025009	Connector - 26P	
103	11030507	Connector - 6P	
104	11030698	Connector - 9P	
105	11040413	Connector - 28P	
106	12041324	DIP Switch	
107	14071599	IC - SN74LS153NS	
108	14071600	IC - SN74LS244NS	
109	14071605	TTL - SN74LS157NS	
110	14071741	TTLIC - SN74LS32NS	
111	14071745	IC - SN74LS139NS	
112	14071746	IC - SN74LS240NS	
113	14071783	IC - SN74LS02NS	
114	14071880	IC - SN74LS04NS	

ndex No.	Part No.	Description	Q'ty Per Assembly
115	14072051	IC - SN74LSOONS	
116	14072052	IC - NS74LS74ANS	
117	14072077	IC - SN74LS138NS	
118	14072081	IC - SN74LS08NS	
119	14072106	IC - SN74LS279NS	
120	14072247	IC - SN74LS164NS	
121	14072249	IC - SN74LS174NS	
122	14072250	IC - SN75LS175NS	
123	14072253	IC - SN74LS393NS	
124	14072339	TTL - IC - SN74LS241 NS	
125	14072347	IC - SN74LS161NS	
126	14072725	IC - SN74LS51 NS	
127	14073478	IC - SLA7024M	
128	14073894	IC - MB8464A-10LPF	
129	14073902	IC - SN74LS251 NS	
130	14080408	IC - PST518A	
131	15030141	Oscillator - CSA6.55MS11	
132	16001168	Resistor - 10 MHz 2W	
133	16040930	Capacitor - 100 μ F 50V	
134	16042081	Capacitor - 1 μ F 50V	
135	16042209	Capacitor - 100 μ F 16V	
136	16050304	Capacitor - 2200pF \pm 10% 50V	
137	16061139	Capacitor - 0.01 μ F \pm 20%	
138	16051455	Capacitor - 470pF 25V	
139	16070421	Coil - SP0615-220M2R0	
140	16100286	Capacitor - 100pF 50V \pm 10%	
141	16302101	Resistor - 100 Ω 1/8W	
142	16302102	Resistor - 1 K Ω 1/8W \pm 5%	
143	16302222	Resistor - 2.2K Ω 1/8W	
144	16302242	Resistor - 2.4K Ω 1/8W	
145	16302330	Resistor - 33 Ω 1/8W \pm 5%	
146	16302472	Resistor - 4.7K Ω 1/8W \pm 5%	
147	16302473	Resistor - 47K Ω 1/8W \pm 5%	
148	16302510	Resistor - 51 Ω 1/8W	
149	16302511	Resistor - 510 Ω 1/8W \pm 5%	

34. A/D CONVERSION BOARD (C216)

CAPACITOR

SYMBOL NO.	INDEX NO.	SYMBOL NO.	INDEX NO.	SYMBOL NO.	INDEX NO.	SYMBOL NO.	INDEX NO.	SYMBOL NO.	INDEX NO.	SYMBOL NO.	INDEX NO.	SYMBOL NO.	INDEX NO.
C600	143	C610	153	C620	152	C630	151	C640	154	C650	152	C660	155
C601	142	C611	143	C621	152	C631	148	C641	152	C651	152	C661	152
C602	144	C612	143	C622	152	C632	152	C642	152	C652	152	C662	152
C603	144	C613	143	C623	152	C633	152	C643	156	C653	152	C663	152
C604	143	C614	146	C624	152	C634	152	C644	152	C654	152	C664	152
C605	141	C615	143	C625	152	C635	152	C645	152	C655	156	C665	152
C606	143	C616	143	C626	152	C636	152	C646	156	C656	156	C666	152
C607	141	C617	143	C627	152	C637	152	C647	149	C657	152	C667	152
C608	141	C618	143	C628	152	C638	152	C648	152	C658	150	C668	152
C609	143	C619	145	C629	152	C639	152	C649	152	C659	152	C669	152

CONNECTOR

SYMBOL NO.	INDEX NO.
C671	152
C672	152
C673	152
C674	152
C675	152
C676	152
C677	147
C678	152

SYMBOL NO.	INDEX NO.
CN601	107
CN602	108
CN603	103
CN604	102
CN605	105
CN606	104
CN607	106

DIODE

SYMBOL NO.	INDEX NO.
D600	115
D601	115
D602	115
D603	115
D604	115
D605	115
D606	115
D607	115

FUSE

SYMBOL NO.	INDEX NO.
FU600 (FU600)	110 109

IC

SYMBOL NO.	INDEX NO.	SYMBOL NO.	INDEX NO.	SYMBOL NO.	INDEX NO.	SYMBOL NO.	INDEX NO.
IC600	122	IC610	131	IC620	129		
IC601	122	IC611	127	IC621	130		
IC602	118	IC612	125	IC622	121		
IC603	119	IC613	133	IC623	133		
IC604	125	IC614	136	IC624	126		
IC605	123	IC615	117	IC625	136		
IC606	124	IC616	128	IC626	134		
IC607	137	IC617	121	IC627	135		
IC608	127	IC618	121	IC628	134		
IC609	120	IC619	117	IC629	116		

34. A/D CONVERSION BOARD (C216)

RESISTOR

SYMBOL NO.	INDEX NO.
IC630	138
IC631	132

SYMBOL NO.	INDEX NO.
R600	184
R601	184
R602	184
R603	184
R604	184
R605	184
R606	184
R607	184
R608	184
R609	184

SYMBOL NO.	INDEX NO.
R610	184
R611	184
R612	184
R613	184
R614	172
R615	159
R616	159
R617	159
R618	159
R619	159

SYMBOL NO.	INDEX NO.
R620	184
R621	184
R622	184
R623	184
R624	192
R625	185
R626	185
R627	160
R628	185
R629	180

SYMBOL NO.	INDEX NO.
R630	160
R631	159
R632	184
R633	184
R634	184
R635	184
R639	159
R640	159
R641	159
R642	171

SYMBOL NO.	INDEX NO.
R643	186
R646	183
R647	183
R648	167
R649	191
R650	193
R651	159
R652	171
R653	160
R654	186

SYMBOL NO.	INDEX NO.
R655	175
R656	177
R657	184
R658	184
R659	184
R660	182
R661	163
R662	165
R663	163
R664	182

SYMBOL NO.	INDEX NO.
R665	166
R666	170
R667	175
R668	161
R669	184
R670	184
R671	184
R672	186
R673	186
R674	166

SYMBOL NO.	INDEX NO.
R675	166
R676	189
R677	173
R678	191
R679	167
R680	193
R681	174
R682	187
R683	185
R684	157

SYMBOL NO.	INDEX NO.
R685	157
R686	190
R687	190
R688	179
R689	157
R690	171
R691	164
R692	159
R693	159
R694	171

SYMBOL NO.	INDEX NO.
R695	164
R696	178
R697	171
R698	172
R699	171
R700	171
R701	159
R702	180
R703	180
R704	169

SYMBOL NO.	INDEX NO.
R705	169
R706	159
R707	184
R708	172
R711	184
R712	160
R713	162
R714	162
R715	159
R716	188

SYMBOL NO.	INDEX NO.
R717	168
R718	176
R719	180
R720	180
R721	176
R722	168
R723	188
R724	185
R725	185
R726	162

SYMBOL NO.	INDEX NO.
R727	181
R728	159
R729	158
R730	184

34. A/D CONVERSION BOARD (C216)

TEST POINT		TRANSISTOR		VR	
SYMBOL NO.	INDEX NO.	SYMBOL NO.	INDEX NO.	SYMBOL NO.	INDEX NO.
TP600	101	Q600	112	VR600	139
TP601	101	Q602	111	VR601	140
TP603	101	Q603	113		
TP604	101	Q604	114		
TP605	101	Q605	113		
		Q607	114		
		Q608	114		

34. A/D CONVERSION BOARD (C216)

Index No.	Part No.	Description	Q'ty Per Assembly
*	C215 8012	A/D Conversion Board	1

Index No.	Part No.	Description	Q'ty Per Assembly
101	11010328	Connector Pin Contact	
102	11020845	Contact.3p	
103	11020903	Connector-4P	
104	11020905	Connector-5P	
105	11020907	Connector-6P	
106	11020913	Connector-9P	
107	11023479	Connector-50P	
108	11025629	Connector-16P	
109	11040564	Fuse Socket	
110	11070713	Fuse - K19374/2A	
111	14000098	Transistor- 2SA950-Y	
112	14000163	Transistor-2SC21 20-Y	
113	14000382	Transistor- 2SA1037KR	
114	14010298	Transistor-2SC2712YT	
115	14010835	Diode - 1SS190	
116	14010977	Transistor-LB1213M	
117	14071224	IC - DS0026CN-8	
118	14071600	IC - SN74LS244NS	
119	14071605	TTL-SN74LS157NS	
120	14071610	IC - SN7407	
121	14071723	IC - TC4052BF	
122	14071746	IC-SN74LS240NS	
123	14071783	IC-SN74LS02NS	
124	14071849	IC - M52672P	
125	14071880	IC-SN74LS04NS	
126	14071935	IC - TC4066BF	
127	14072052	IC-NS74LS74ANS	
128	14072081	IC - SN74LS08NS	
129	14072347	IC - SN74LS161NS	
130	14072348	IC - TC4051BF	
131	14080322	IC - DAC00800LCN	
132	14080408	IC-PST518A	
133	14080526	IC - HA3-2525-5	
134	14080562	IC - μ PC4082G	
135	14080565	IC - μ PC311G	

Index No.	Part No.	Description	Q'ty Per Assembly
136	14080685	IC - μ PC814G	
137	14080915	Resistor - 5V 0.5A	
138	14080995	IC - STK6772	
139	16018145	Variable Resistor - 5k Ω 0.5W	
140	16018146	Variable Resistor -500 Ω	
141	16041008	Capacitor - 35 μ F \pm 20% 25V	
142	16041354	Capacitor-100 μ F 10V	
143	16041382	Capacitor- 10 μ F 50V	
144	16041385	Capacitor- 47 μ F \pm 20% 50V	
145	16041386	Capacitor-100p F \pm 20% 50V	
146	16041855	Capacitor - 4.7 μ F \pm 20% 25V	
147	16041984	Capacitor- 1 μ F 16V	
148	16050226	Capacitor- 1000pF 50V	
149	16050359	Capacitor-22pF50V	
150	16050365	Capacitor-3pF50V	
151	16050491	Capacitor - 230pF 50V	
152	16061139	Capacitor - 0.01 μ F \pm 20%	
153	16061352	Capacitor - 0.1 μ F	
154	16061450	Capacitor- 10 μ F 50V	
155	16061453	Capasitor - 0.1 μ F + 80% -20% 25V	
156	16061455	Capacitor-470pF25V	
157	16302100	Resistor -10 Ω 1/8W \pm 5%	
158	16302101	Resistor -100 Ω 1 /8W	
159	16302102	Resistor -1 K Ω 1/8W \pm 5%	
160	16302103	Resistor - 10K Ω 1/8W	
161	16302113	Resistor- 11K Ω 1/8W \pm 5%	
162	16302122	Resistor -1.2K Ω 1 /8W \pm 5%	
163	16302133	Resistor - 13K Ω 1/8W \pm 5%	
164	16302151	Resistor - 1.5K Ω 1 /8W \pm 5%	
165	16302152	Resistor - 1.5K Ω 1/8W \pm 5%	
166	16302153	Resistor - 15k Ω 1/8W \pm 5%	
167	16302154	Resistor - 150K Ω 1/8W \pm 5%	
168	16302201	Resistor -200 Ω \pm 5% 1/8W	
169	16302202	Resistor - 2K Ω 1/8W \pm 5%	
170	16302203	Resistor - 20K Ω	

Index No.	Part No.	Description	Q'ty Per Assembly
171	16302220	Resistor - 22 Ω 1/8W \pm 5%	
172	16302222	Resistor - 2.2K Ω 1/8W	
173	16302223	Resistor - 22K Ω 1/8W \pm 5%	
174	16302242	Resistor - 2.4K Ω 1/8W	
175	16302243	Resistor - 24K Ω 1/8W \pm 5%	
176	16302271	Resistor -270 Ω - 1/8W	
177	16302273	Resistor - 27k Ω 1/8W \pm 5%	
178	16302302	Resistor - 3K Ω 1/8W \pm 5%	
179	16302330	Resistor -33 Ω 1 /8W \pm 5%	
180	16302331	Resistor -330 Ω 1 /8W \pm 5%	
181	16302332	Resistor - 3.3K Ω 1/8W \pm 5%	
182	16302333	Resistor - 33K Ω 1/8W \pm 5%	
183	16302393	Resistor -39K Ω 1 /8W \pm 5%	
184	16302472	Resistor - 4.7K Ω 1/8W \pm 5%	
185	16302473	Resistor -47K Ω 1 /8W \pm 5%	
186	16302511	Resistor - 510 Ω 1/8W *5%	
187	16302512	Resistor -5.1 k Ω 1/8W \pm 5%	
188	16302620	Resistor -62 Ω 1 /8W \pm 5%	
189	16302623	Resistor - 62K Ω \pm 5%	
190	16302680	Resistor -68 Ω 1 /8W \pm 5%	
191	16302683	Resistor - 68K Ω 1/8W \pm 5%	
192	16302821	Resistor -820 Ω 1 /8W \pm 5%	
193	16302822	Resistor - 8.2K Ω	

35. POWER SUPPLY UNIT (C216)

AL

SYMBOL NO.	INDEX NO.
AL101	134

CAPACITOR

SYMBOL NO.	INDEX NO.	SYMBOL NO.	INDEX NO.	SYMBOL NO.	INDEX NO.	SYMBOL NO.	INDEX NO.	SYMBOL NO.	INDEX NO.	SYMBOL NO.	INDEX NO.	SYMBOL NO.	INDEX NO.
C101	168	C111	164	C210	155	C221	171	C231	170	C241	158		
C102	168	C201	167	C211	171	C222	167	C232	175	C242	160		
C103	169	C202	167	C213	153	C223	166	C233	174	C243	165		
C104	173	C203	166	C214	171	C224	157	C234	162	C244	160		
C105	163	C204	166	C215	155	C225	157	C235	158	C245	170		
C106	163	C205	161	C216	171	C226	171	C236	167	C246	175		
C107	172	C206	161	C217	166	C227	159	C237	166	C247	162		
C108	172	C207	171	C218	153	C228	165	C238	154	C248	174		
C109	168	C208	153	C219	171	C229	162	C239	161	C250	156		
C110	164	C209	171	C220	155	C230	170	C240	171	C251	175		

SYMBOL NO.	INDEX NO.
C252	166

COIL

SYMBOL NO.	INDEX NO.
L101	117
L201	6
L202	176
L203	176
L204	178
L205	7

CONNECTOR

SYMBOL NO.	INDEX NO.
CN501	108
CN502	107
CN503	109
CN504	106
CN505	111

DIODE

SYMBOL NO.	INDEX NO.	SYMBOL NO.	INDEX NO.	SYMBOL NO.	INDEX NO.
D101	127	D202	129	D213	124
(D101)	102	D203	129	D214	121
(D101)	13	D204	124	D215	121
D102	125	D206	128	D216	130
D103	125	D207	124	D217	121
D104	126	D208	124	D218	121
D105	125	D209	132	D219	124
D106	125	D210	121	D220	121
D107	126	D211	121	D221	121
D201	131	D212	121	D222	121

SYMBOL NO.	INDEX NO.
D223	121
D224	121
D225	121

FUSE

SYMBOL NO.	INDEX NO.
FU101 (FU101)	116 110

IC

SYMBOL NO.	INDEX NO.
IC201	140
IC202	140
IC203	141
IC204	139
IC205	139
IC206	138

PUT

SYMBOL NO.	INDEX NO.
PUT201	135

RESISTOR

SYMBOL NO.	INDEX NO.	SYMBOL NO.	INDEX NO.	SYMBOL NO.	INDEX NO.	SYMBOL NO.	INDEX NO.
R101	147	R111	145	R203	149	R214	199
R102	150	R112	182	R204	149	R215	181
R103	197	R113	179	R205	146	R216	196
R104	151	R114	191	R206	148	R217	202
R105	145	R115	180	R208	149	R218	195
R106	182	R116	182	R209	149	R219	196
R107	179	R117	143	R210	149	R220	182
R108	180	R118	143	R211	144	R221	182
R109	191	R201	149	R212	148	R222	182
R110	182	R202	149	R213	181	R223	182

SYMBOL NO.	INDEX NO.
R224	181
R225	183
R226	201
R227	182
R228	185
R229	190
R230	185
R231	188
R232	193
R233	186

SYMBOL NO.	INDEX NO.
R234	183
R235	183
R236	149
R237	149
R238	181
R239	199
R240	181
R241	182
R242	182
R243	183

SYMBOL NO.	INDEX NO.
R244	182
R245	181
R246	180
R247	189
R248	194
R249	184
R250	193
R251	185
R252	182
R253	189

SYMBOL NO.	INDEX NO.
R254	180
R255	198
R256	187
R257	148
R258	146
R259	142
R260	192
R261	181
R262	181
R264	200

SYMBOL NO.	INDEX NO.
R265	182
R266	193
R267	180

SCR

SYMBOL NO.	INDEX NO.
SCR201	136

TRANSFORMER

SYMBOL NO.	INDEX NO.
T101	4
T102	5
T103	14
T104	8
T105	8

TM

SYMBOL NO.	INDEX NO.
TM201	118

35 POWER SUPPLY UNIT (C216)

TRANSISTOR

SYMBOL NO.	INDEX NO.	SYMBOL NO.	INDEX NO.
Q101	122	Q201	120
(Q101)	177	Q202	119
(Q101)	16	Q203	120
(Q101)	113	Q204	119
Q102	119	Q205	120
Q103	123	Q206	120
(Q103)	177	Q207	119
(Q103)	103		
(Q103)	115		
Q104	119		

TRC

SYMBOL NO.	INDEX NO.
TRC101	137

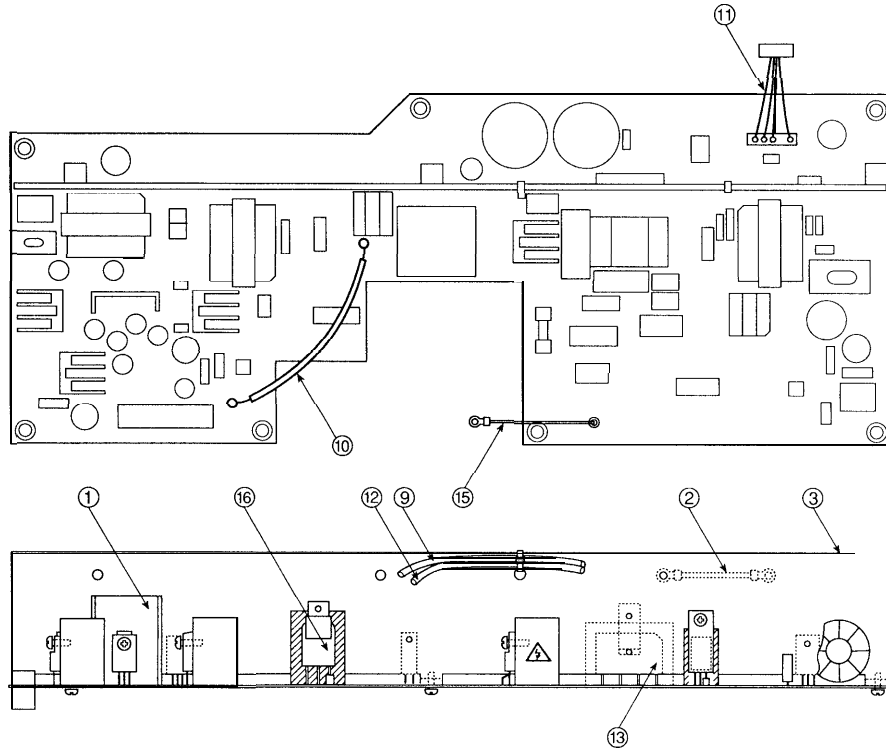
ZNR

SYMBOL NO.	INDEX NO.
ZNR101	133

VR

SYMBOL NO.	INDEX NO.
VR201	152
VR202	152

35. POWER SUPPLY UNIT (C216)



35. POWER SUPPLY UNIT (C216)

Index No.	Part No.	Description	Q'ty Per Assembly
*	C215 8302	Power Supply Board - 115V	1
*	C216 8322	Power Supply Board - 220V	1
1	C200 8313	Radiation Plate	1
2	C213 8326	Grounding Wire	1
3	C215 8320	Heat Sink	1
4	C215 8340	Transformer - VCC	1
5	C215 8341	Transformer - VHD	1
6	C215 8342	Coil - VCC	1
7	C215 8343	Coil	1
8	C215 8344	Transformer	1
9	C215 8350	Relay Harness	1
10	C215 8351	Relay Harness	1
11	C215 8352	Relay Harness - VHD	1
12	C215 8353	Relay Harness - ON/OFF	1
13	C215 8370	Bushing	1
14	52055546	Transformer	1
15	C200 8315	Grounding Wire	1
16	C209 8321	Insulating Sheet - BFG-45	1

Index No.	Part No.	Description	Q'ty Per Assembly
101	11000511	Connector - 1P	
102	10040175	Shielding Sheet	
103	10040186	Shielding Sheet	
104	10050804	Wire Saddle	
105	10050890	Decal - TUV	
106	11020901	Connector	
107	11020995	Connector - 2P	
108	11021194	Connector - 3P	
109	11031560	Connector -10P	
110	11040351	Fuse Holder	
111	11050046	Harness	
112	11050208	Collar	
113	11050355	Bushing - M1748	
114	11060492	Bushing -400	
115	11060760	Bushing - MI 847	
116	11070516	Fuse - 8A	
117	12010061	SC Coil - SC-05-800	
118	12042312	Thermostat - 80°C 30V0.1A	
119	14000291	Transistor - 2SA102OY	
120	14000311	Transistor - 2SC1740	
121	14010822	Diode - 1SS137	
122	14010975	Ferrite Core	
123	14010976	Ferrite Core	
124	14020517	Diode - 10DF2	
125	14020534	Diode - 10DF6	
126	14020819	Diode - 600V 1A	
127	14020867	Capacitor - RBV-604	
128	14021072	Diode - 200V 1.5A	
129	14021130	Diode - RK49	
130	14021131	Diode - FAX-12S	
131	14021132	Diode - FMX-22S	
132	14021133	Diode - Esac82m-0	
133	14040157	Diode - SNR-221KD14	
134	14040233	Resistor - 100M\$23000V &600V(115V)	
134	14040266	Lighting Arrester -3000V - 1000A	

Index No.	Part No.	Description	Q'ty Per Assembly
135	14050018	PUT - N13T1	
136	14050122	Thyristor - 5P4M	
137	14050220	Triac - AOOV IOA	
138	14081187	IC - TL321CP	
139	14080344	IC - μ PC494C	
140	14081007	Regulator-pPC7812AHF	
141	14081008	Regulator-#PC7812AHF	
142	16001038	Resistor-1 Ω 5T \pm 10%	
143	16001326	Resistor - 22 Ω 3W \pm 5%	
144	16001327	Resistor - 33 Ω \pm 5%	
145	16001553	Resistor - 47K Ω \pm 5% 2W	
146	16001603	Resistor -240 Ω 10W \pm 5%	
147	16001629	Thermo Fuse Resistor	
148	16001631	Resistor -0.1 Ω 2W \pm 10%	
149	16011400	Resistor -10 Ω 0.75W \pm 5%	
150	16011862	Resistor -100 Ω 1/2W \pm 5%	
151	16013944	Resistor - 82K Ω 1/2W \pm 5%	
152	16018137	Variable Resistor -1 k Ω	
153	16042051	Capacitor - 330 μ F \pm 2% 25V	
154	16042139	Capacitor - 2200 μ F \pm 20% 35V	
155	16042215	Capacitor - 330 μ F 10V	
156	16042246	Capacitor -1 0 μ F \pm 20% 50V	
157	16042301	Capacitor - 1000 μ F \pm 20% 10V	
158	16042340	Capacitor - 1 μ F \pm 20% 50V	
159	16042363	Capacitor - 220 μ F \pm 20% 25V	
160	16042366	Capacitor - 22 μ F \pm 20% 50V	
161	16042420	Capacitor - 1000 μ F \pm 20% 35V	
162	16042519	Capacitor - 330 μ F \pm 2% 25V	
163	16042520	Capacitor - 330 μ F \pm 2% 25V	
164	16050426	Capacitor - 470PF \pm 10% 500V	
165	16060915	Capacitor - 100pF 50V	
166	16060930	Capacitor - 2200pF 500V	
167	16061016	Capacitor - 1000pF 500V	
168	16061121	Capacitor - 0.1 μ F 25V	
169	16061162	Capacitor - 0.22 μ F AC250V	

Index No.	Part No.	Description	Q'ty Per Assembly
170	16061178	Capacitor - 0.01 μ F 50V	
171	16061469	Capacitor - 0.1 μ F 50V	
172	16061508	Capacitor - 1000OpF 500V	
173	16061572	Capacitor - 0.22 μ F +209.	
174	16061628	Capacitor - 0.001 μ F 50V	
175	16061723	Capacitor - 0.047 μ F \pm 5%	
176	16070106	Coil - SBC-33	
177	16070393	Ferrite Core	
178	16070582	Coil	
179	16112100	Resistor -10 Ω 1/8T	
180	16112101	Resistor -100 Ω 1/8W	
181	16112102	Resistor -1 K Ω 1/8W \pm 5%	
182	16112103	Resistor - 10k Ω 1/8T +57.	
183	16112104	Resistor - 1.5K Ω 1/8W \pm 5%	
184	16112152	Resistor - 1.5K Ω 1/8W \pm 5%	
185	16112153	Resistor - 15K Ω 1/8W	
186	16112182	Resistor - 1.8K Ω 1/8W \pm 5%	
187	16112222	Resistor - 2.2k Ω 1/8T +5%	
188	16112223	Resistor - 22k Ω 1/8T +5%	
189	16112273	Resistor - 27k Ω 1/8W	
190	16112332	Resistor - 3.3K Ω 1/8W	
191	16112390	Resistor -39 Ω 1/8W \pm 5%	
192	16112471	Resistor -470 Ω 1/8W \pm 5%	
193	16112472	Resistor - 4.7K Ω 1/8W	
194	16112562	Resistor - 5.6k Ω 1/8T +5%	
195	16112822	Resistor - 8.2K Ω 1/8W \pm 5%	
196	16112910	Resistor -91 Ω 1/8W \pm 5%	
197	16114102	Resistor -1 K Ω 1/4T \pm 5%	
198	16114103	Resistor - 10k Ω 1/4T \pm 5%	
199	16114391	Resistor -390 Ω 1/4T \pm 5%	
200	16114473	Resistor - 47K Ω 1/4T \pm 5%	
201	16114822	Resistor - 8.2k Ω 1/4T \pm 5%	
202	16112133	Resistor - 13K Ω 1/8W	

36. AC DRIVE BOARD (C216)

CAPACITOR

SYMBOL NO.	INDEX NO.
C301	123
C302	122
C303	127

COIL

SYMBOL NO.	INDEX NO.
L301	124
L302	124

CONNECTOR

SYMBOL NO.	INDEX NO.
CN301	102
CN302	105
CN303	106
CN304	104
CN305	103

DIODE

SYMBOL NO.	INDEX NO.
D301	113
D302	113
D303	113
D304	113
D305	113
D306	114
D307	113

FUSE

SYMBOL NO.	INDEX NO.
FU301	107

NOISE KILL

SYMBOL NO.	INDEX NO.
CR301	128
CR302	128
CR303	128
CR304	128
CR305	128
CR306	128
CR307	128
CR308	128

PHOTO THYRISTOR

SYMBOL NO.	INDEX NO.
PC301	117

RELAY

SYMBOL NO.	INDEX NO.
RA301	109
RA302	110
RA303	109
RA304	109
RA305	109
RA306	108
RA307	129

RESISTOR

SYMBOL NO.	INDEX NO.
R301	119
R302	120
R303	126
R304	125

ST

SYMBOL NO.	INDEX NO.
ST301	116

TRANSISTOR

SYMBOL NO.	INDEX NO.
Q301	111
Q302	112

ZENER DIODE

SYMBOL NO.	INDEX NO.
ZD301	115

ZNR

SYMBOL NO.	INDEX NO.
ZNR301	118

36. AC DRIVE BOARD (C216)

Index No.	Part No.	Description	Q'ty Per Assembly
*	C201 8055	AC Drive Board - 220V	1
*	C2018057	AC Drive Board - 120V	1
1	C201 8060	Grounding Wire	1

Index No.	Part No.	Description	Q'ty Per Assembly
102	11020915	Connector -10P	
103	11020958	Connector - 2P	
104	11021048	Pin Housing - Mate-N-Lock - 3P	
105	11031388	Connector - 7P	
106	11031493	Connector	
107	11070389	Fuse - 25A - LT	
107	11070641	Fuse - 2.5A - A4	
108	12081041	Power Relay - DC24V	
109	12081245	Relay - DC24V	
110	12081246	Relay - AC100V	
111	14010289	Transistor - 2SC2749	
112	14010366	Transistor - 2SD799	
113	14010611	Diode - 1S1588	
114	14020110	Diode - V06C	
115	14020426	Zener Diode - RD12FB2	
116	14020646	Diode - S5VB20	
117	14030519	Photocoupler - TLP621	
118	14040143	Varistor - SNR221KD-10	
119	16001639	Resistor -1 Ω 5T ±10%	
120	16001640	Resistor -6.8 Ω 5T ±10%	
122	16042528	Capacitor 100μF 50V	
123	16041534	Capacitor -100μF 200V	
124	16070001	Coil - SN-BS-500	
125	16114511	Resistor -510 Ω 1/4T +5%	
126	16114911	Resistor -910 Ω 1/4T 5%	
127	16061752	Capacitor -0.022μF 250V	
128	16021501	Resistor - 0.1μF 120 Ω	
129	12081263	Relay - AC1 OOV	
	130 12081042		

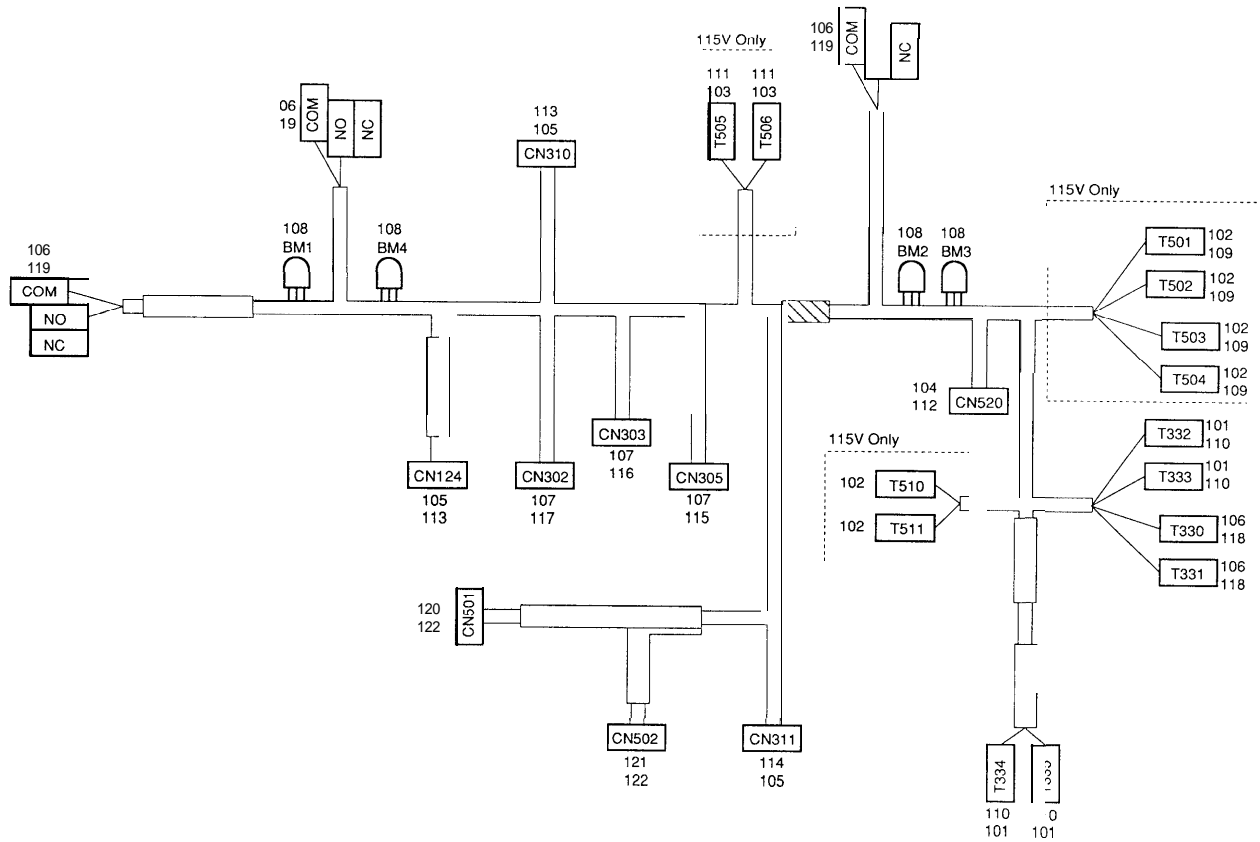


37. MAIN HARNESS (C216)

Index No.	Part No.	Description	Qty Per Assembly
*	C216 8168	Main Harness	1
101	11000504	Closed Terminal - 44mm	
102	11001149	Terminal	
103	11001169	Fastening Receptacle	

Index No.	Part No.	Description	Qty Per Assembly
104	11001204	Socket - Mate-N-Lock	
105	11001205	Terminal	
106	11001206	Socket - Mate-N-Lock	
107	11001247	Terminal	
108	11001249	Receptacle Terminal	
109	11001327	Contact	
110	11001328	Contact	
111	11001348	Pin Contact	
112	11001374	Terminal	
113	11001433	Pin	
114	11001530	Pin Contact	
115	11001531	Pin Contact	
116	11001532	Pin Contact	
117	11001547	Ct Contact	
118	11020185	Connector - 4P	
119	11021258	Connector - 2P	
120	11021426	Connector - 3P	
121	11021617	Receptacle Housing - 9P	
122	11021620	Connector - 3P	
123	11021629	Connector - 10P	
124	11021633	Connector - 4P	
125	11021634	Connector - 5P	
126	11021691	Connector - 3P	
127	11021692	Connector - 2P	
128	11021749	Connector - 6P	
129	11021883	Receptacle Housing - 10P	
130	11021912	Connector - 4P	
131	11021966	Connector - 4P	
132	11022061	Connector - 6P	
133	11022436	Connector - 12P	
134	11023243	Connector - 3P	
135	11024436	DT Connector -2P	
136	11024473	CT Connector -2P	
137	11024969	Connector - 50P	
138	11030710	Connector - 40P	

38. AC DRIVE HARNESS (C216)














38. AC DRIVE HARNESS (C216)

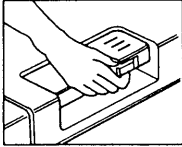
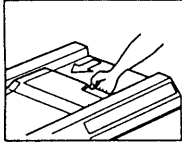
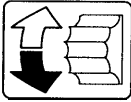
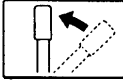
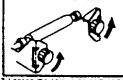


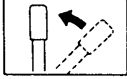
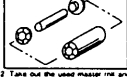
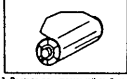

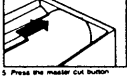

Index No.	Part No.	Description	Q'ty Per Assembly
*	C2168176	AC Drive Harness - 220V	1
*	C2168166	AC Drive Harness - 115V	1

Index No.	Part No.	Description	Q'ty Per Assembly
101	11000280	Fastening Receptacle	
102	11000858	Receptacle -6.35 x 6.35	
103	11000885	Fastening Receptacle	
104	11000916	Connector - 2P	
105	11001149	Terminal	
106	11001168	Fastening Receptacle	
107	11001190	Socket - Mate-N-Lock	
108	11001531	Pin Contact	
109	11020086	Sleeve -250	
110	11020094	Receptacle Housing	
111	11020321	Insulation Sleeve	
112	11020782	Connector - 4P	
113	11021258	Connector - 2P	
114	11021259	Connector - 3P	
115	11021350	Connector - 2P	
116	11021351	Connector - 3P	
117	11021377	Connector -5265- 7P	
118	11021408	Connector - 1P	
119	11021691	Connector - 3P	
120	11023235	Connector - 3P	
121	11023236	Connector - 2P	
122	11040462	Socket	

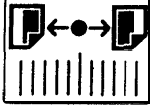
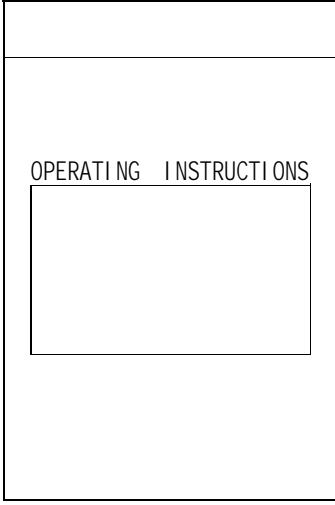
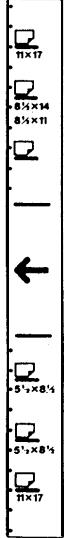
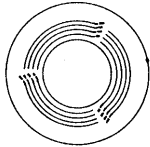
39. DECAL AND DOCUMENT (C216)

<p>1</p> <div data-bbox="247 224 391 319" style="border: 1px solid black; padding: 5px; text-align: center;"> <p>Master Cut Button.</p>  </div>	<p>2</p> <div data-bbox="598 218 1300 330" style="border: 1px solid black; padding: 5px;"> <div style="display: flex; align-items: center; justify-content: space-between;"> <div style="text-align: center;"> <p>(A)</p>  </div> <div style="text-align: center;"> <p>(B)</p>  </div> </div> <div style="border: 1px solid black; padding: 2px; margin-top: 5px; text-align: center;"> <p>How to remove the drum.</p> <p><small>Hold the (A) and (B) part firmly. Remove the drum by pulling the side in the direction of arrow.</small></p> </div> </div>		
<p>3</p> <div data-bbox="303 436 343 621" style="border: 1px solid black; padding: 5px; text-align: center;"> <p>ON</p> <p>OFF</p>  </div>	<p>4</p> <div data-bbox="550 453 718 621" style="border: 1px solid black; padding: 10px; text-align: center;">  </div>	<p>5</p> <div data-bbox="869 492 1021 565" style="border: 1px solid black; padding: 5px; text-align: center;"> <p>ADF On Off</p>  </div>	<p>6</p> <div data-bbox="1133 509 1380 554" style="border: 1px solid black; padding: 5px; text-align: center;">  </div>
<p>7</p> <div data-bbox="231 733 406 879" style="border: 1px solid black; padding: 5px;"> <p>Replacing the Drum Unit</p> <p><small>Counter if the green lamp is not lit, continue to press the button until it lights.</small></p> <p style="text-align: center;">Drum replacement button.</p>  <p><small>If the green lamp is lit but the drum unit cannot be released, push the release handle towards the drum unit and then push the unit out.</small></p> </div>	<p>8</p> <div data-bbox="534 767 742 834" style="border: 1px solid black; padding: 5px; text-align: center;"> <p>Push to open the master eject unit</p> </div>	<p>9</p> <div data-bbox="917 711 981 890" style="border: 1px solid black; padding: 5px; text-align: center;"> <p>Feeder.</p> <p>Standard</p>  <p>Thick paper.</p>  </div>	<p>10</p> <div data-bbox="1141 733 1380 868" style="border: 1px solid black; padding: 5px; text-align: center;"> <p>Printing density</p> <p style="text-align: center;">Standard</p> <p>Lighter Darker</p>  </div>

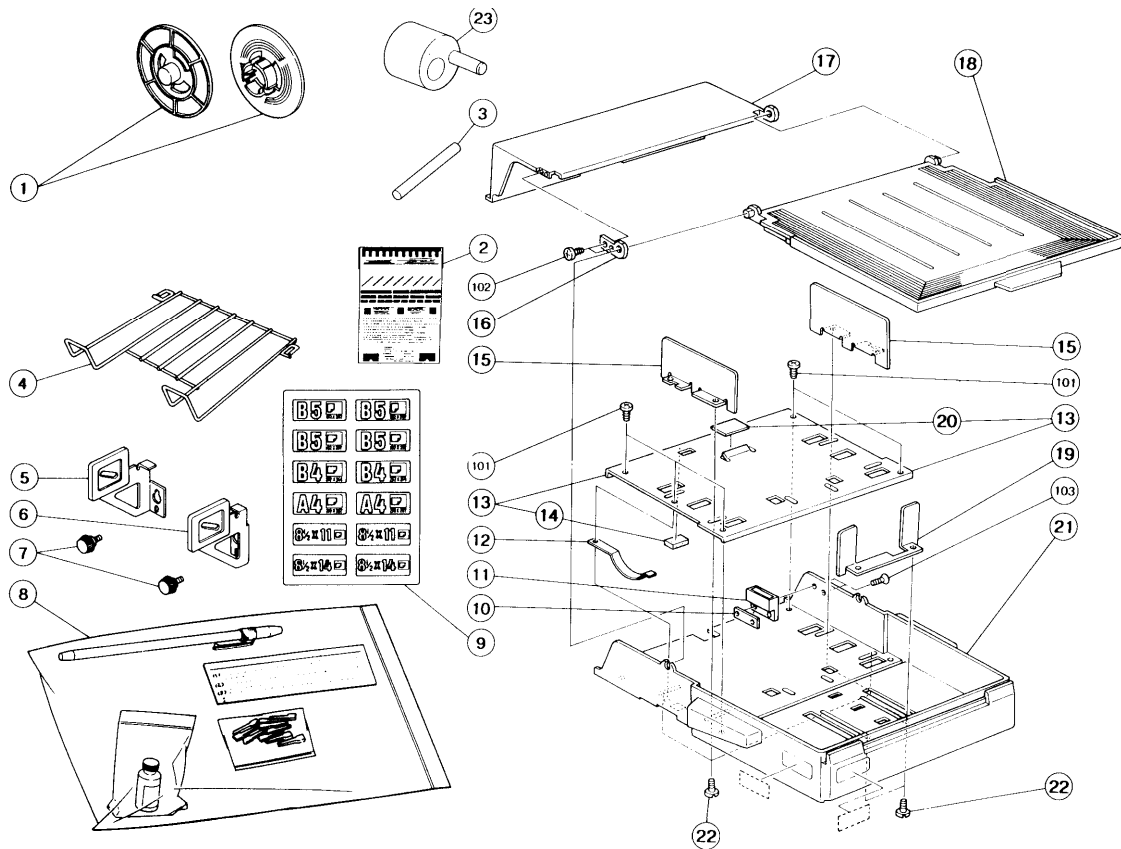
39. DECAL AND DOCUMENT (C216)

<p>15</p> <p>How to Open and Clase the original table.</p>  <p>1 Lift release lever.</p>  <p>2 Slide the original table to the ▼ mark.</p> <p>3 To rturn the original table, slide completely to the right.</p>	<p>17</p> 	<p>18</p> <p>Thermal Head Cleaning</p> <p>1 Clean the thermal head after every second master roll</p>  <p>2 Pull up the lever</p>  <p>3 Loosen the screws on both ends of rubber roller</p>  <p>4 Take out the rubber roller holding both ends of the roller nonconductive</p>  <p>5 Wipe the surface of the thermal head several times with a dry cloth and special cleaner supplied</p> <p>6 Replace roller</p>	<p>19</p> <p>To change master.</p>  <p>1 Pull up the lever</p>  <p>2 Take out the used master roll and remove the flanges at both ends. After flanges to new master roll</p>  <p>3 Replace new master roll at master roll</p>  <p>4 Insert bearing side of master roll and put down the lever</p>  <p>5 Press the master out button</p>  <p>6 Remove the cut of space Caution: remove completely to avoid master release</p>
<p>16</p> <p>Open carefully</p>			

39. DECAL AND DOCUMENT (C216)

<p>20</p> 	<p>22</p> <p>Paper Separator.</p> <p>Thick paper.</p> <p>Set both levers to same position.</p> <p>Standard</p>	<p>24</p> <p>OPERATING INSTRUCTIONS</p> 
<p>21</p> 	<p>23</p> 	

40. ACCESSORIES AND SPECIAL TOOLS (C216)



40. ACCESSORIES AND SPECIAL TOOLS (C216)

Index No.	Part No.	Description	Q'ty Per Assembly
1	C213 4041	Master Flange	1
2	99992131	Test Chart	1
3	C200 9001	Drum Gauge	1
4	C203 3075	Original Exit Tray	1
5	C201 3023	Right Bracket - Original Tray	1
6	C201 3020	Left Bracket - Original Tray	1
7	08030017	Knob Screw - M4x6.5	1
8	C203 8723	Thermal Head Cleaner - English	1
8	C204 8721	Thermal Head Cleaner - Europe	1
9	C522 2450	Decal Sheet	1
10	C522 2433	Plate Nut	1
11	C200 3053	Magnet Catch	1
12	C522 2434	Grounding Plate	1
13	C522 2421	Bottom Plate	1
14	C522 2423	Cushion Seal - 10x19	1
15	C522 2431	Side Fence	1
16	C522 2417	Cover Stopper Supporter	1
17	C522 2413	Cover Stopper	1
18	C522 2418	Cassette Cover	1
19	C522 2432	Rear Fence	1
20	55076828	Rubber Plate - Feed Table	1
21	C522 2441	Cassette Body	1
22	C522 2435	Screw - M3	1
23	C200 9002	Image Shifting Gauge	1

Index No.	Part No.	Description	Q'ty Per Assembly
101	0413 0052Z	Tapping Screw - M3x5	
102	0433 0082Z	Tapping Screw - M3x8	
103	0323 0060Z	Philips Sunk Screw - M3x6	